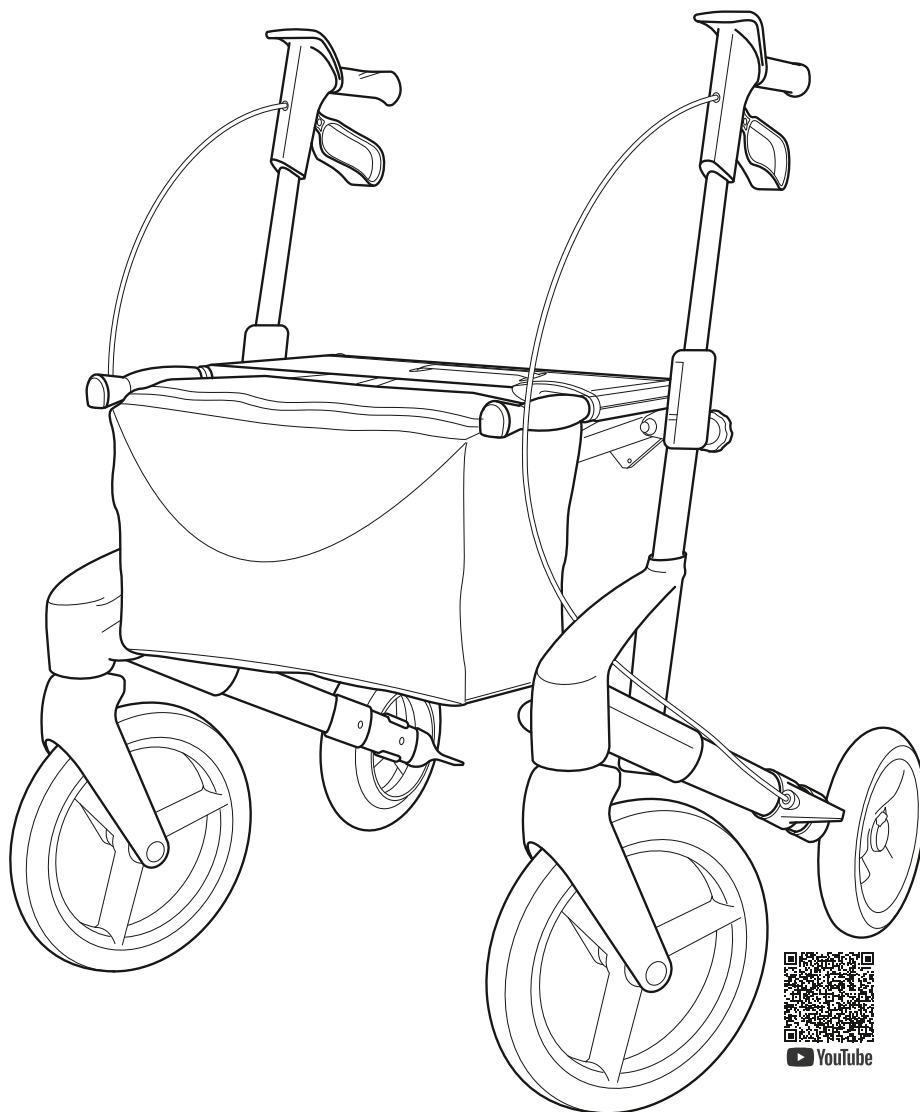


TOPRO

Instructions for use

TOPRO Olympos ATR / Olympos ATR Slim



topromobility.com

made in Norway



EN

Illustrations
Dimensions
Technical data
Article numbers

NO

Illustrasjoner
Dimensjoner
Tekniske data
Artikkelnummer

DE

Illustrationen
Maße
Technische Daten
Artikelnummern

NL

Illustraties
Dimensies
Technische data
Artikelnummers

SV

Illustrationer
Mått
Teknisk data
Artikelnummer

DA

Illustrationer
Dimensioner
Teknisk data
Artikelnumre

FR

Illustrations
Dimensions
Données techniques
Numéros d'article

IT

Illustrazioni
Dimensioni
Dati tecnici
Numeri di articolo

ES

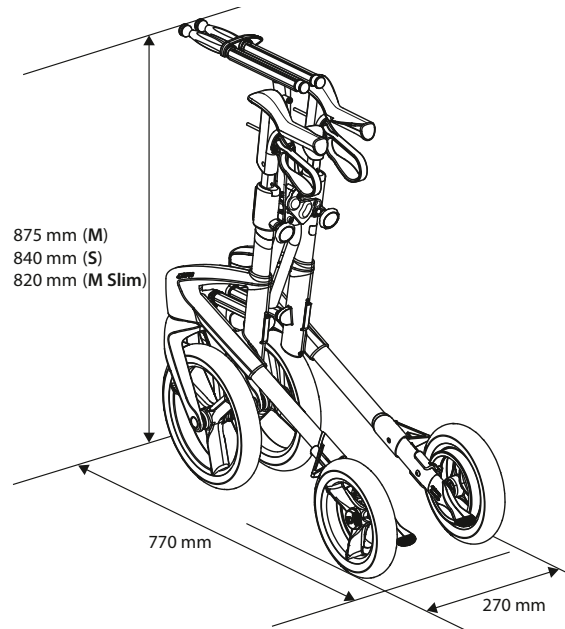
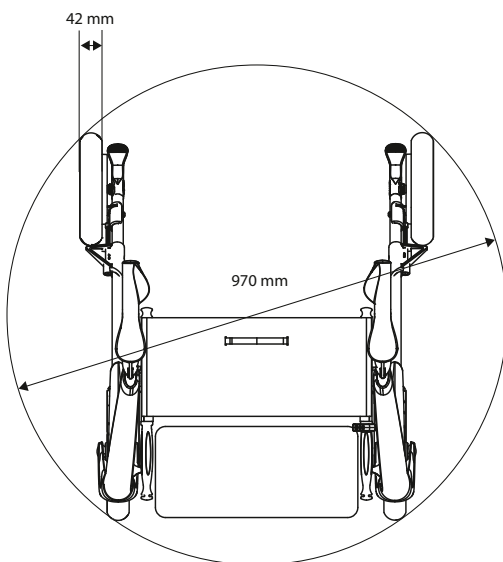
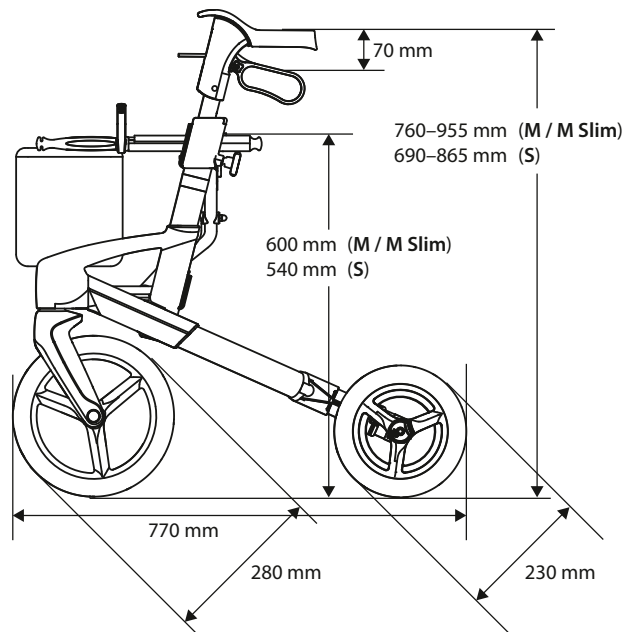
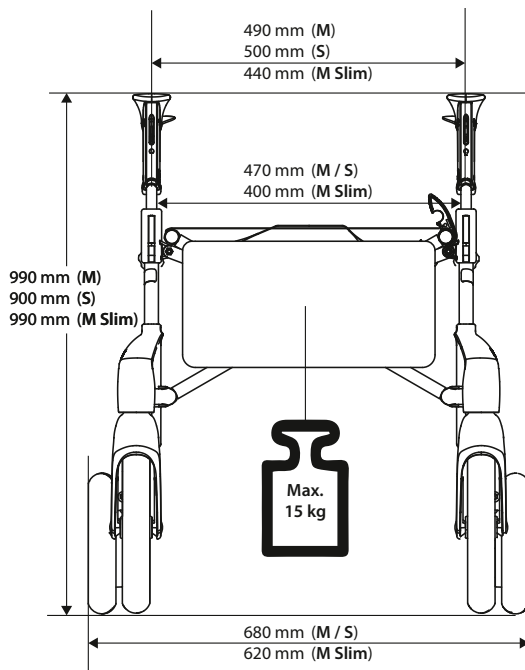
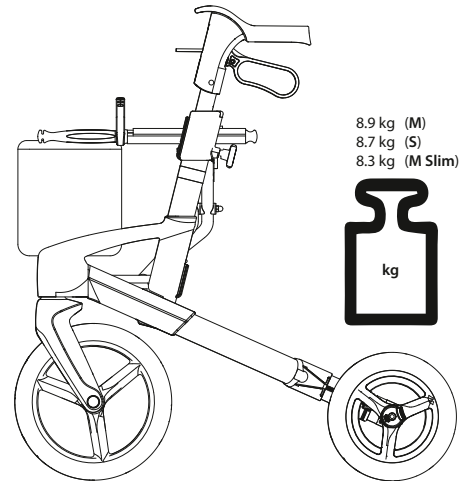
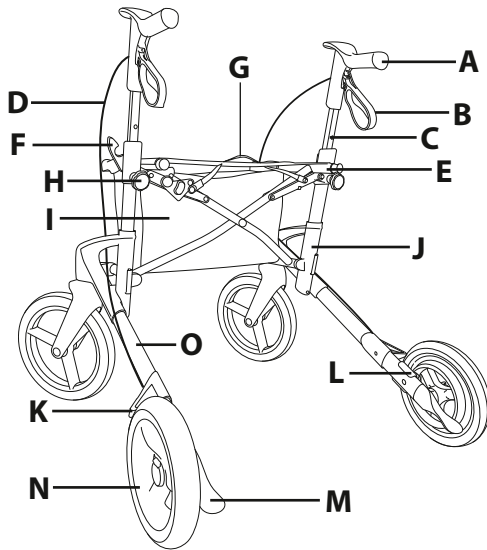
Ilustraciones
Dimensiones
Datos técnicos
Números de artículo

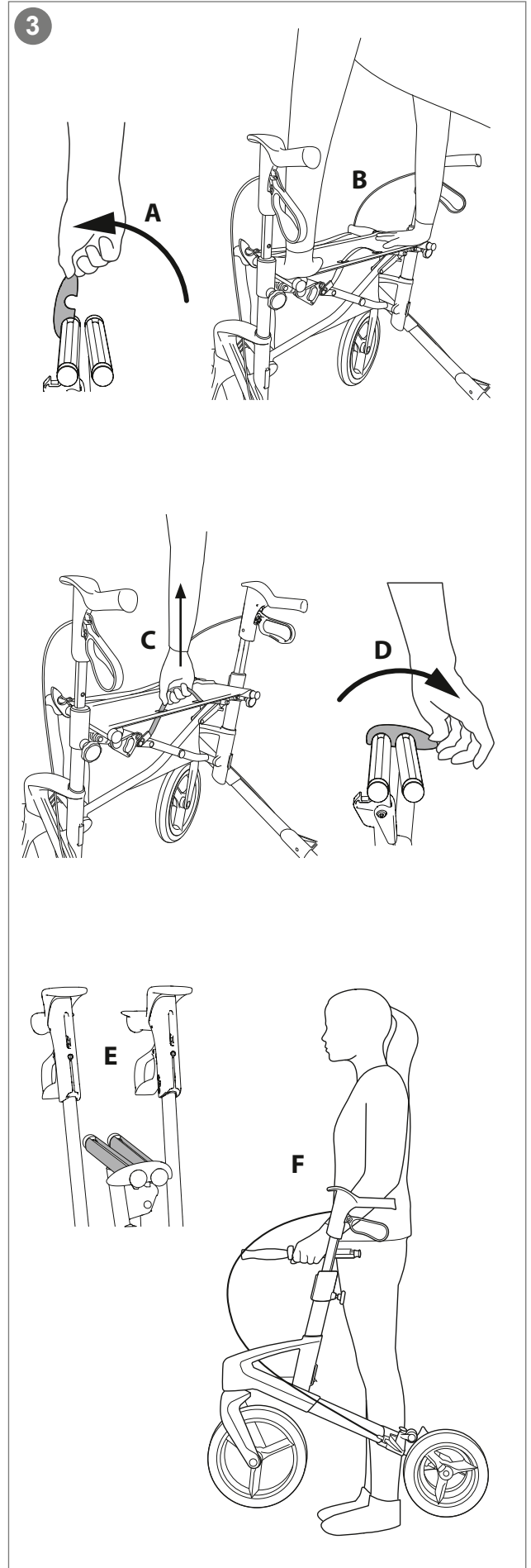
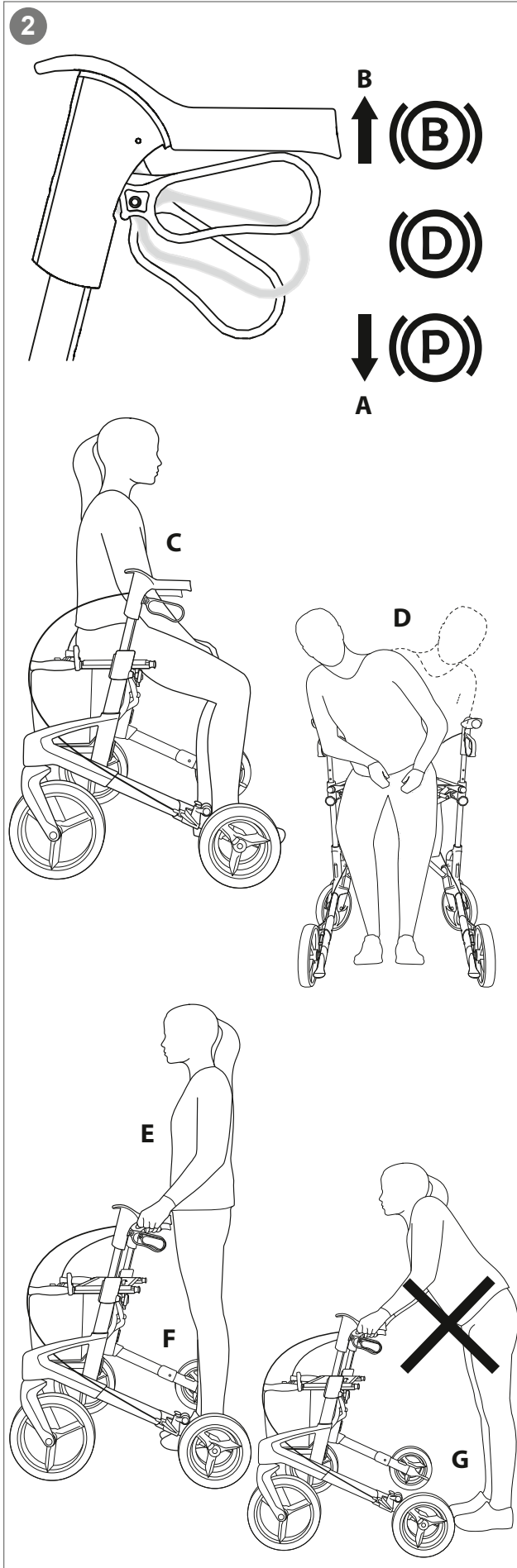
CS

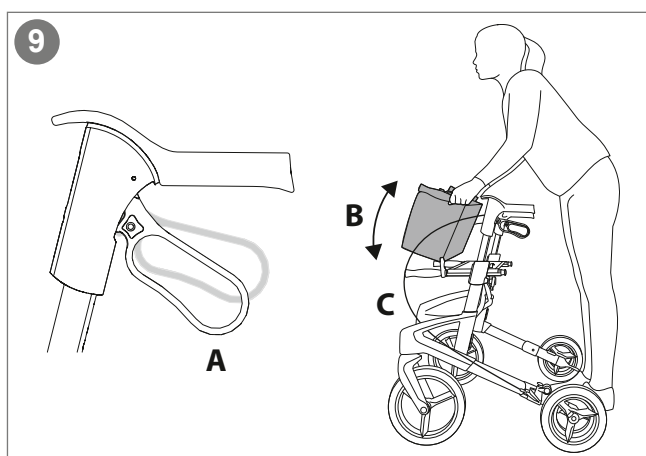
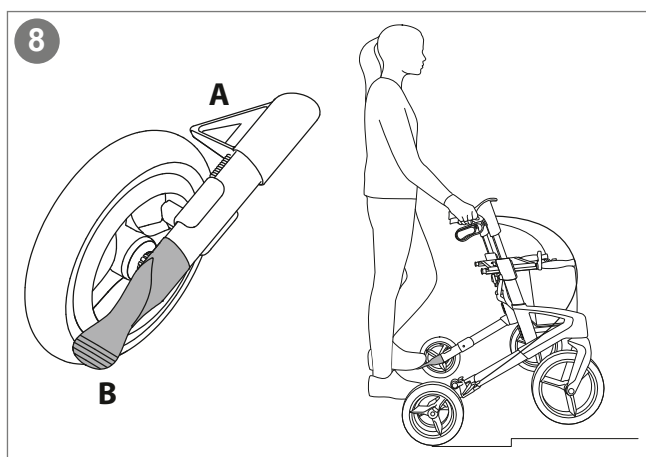
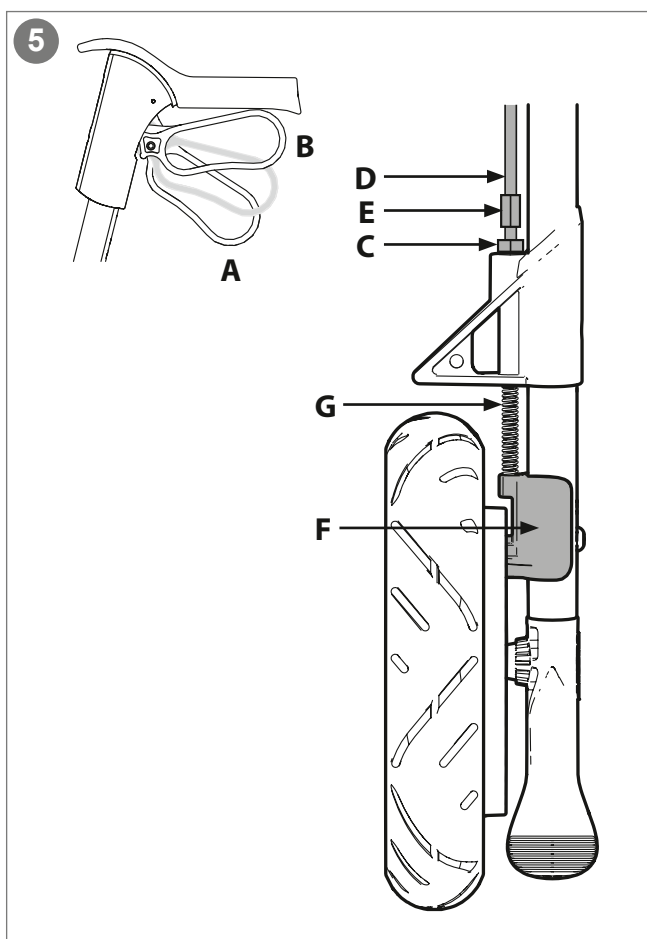
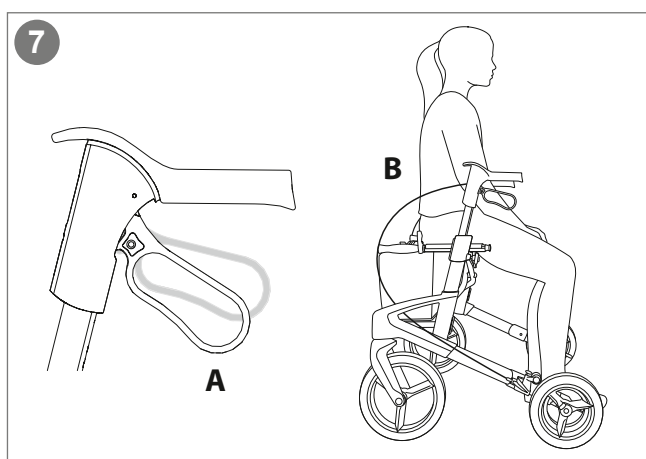
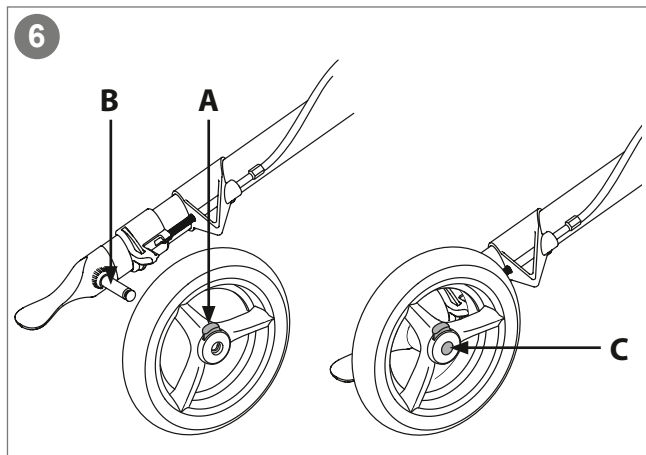
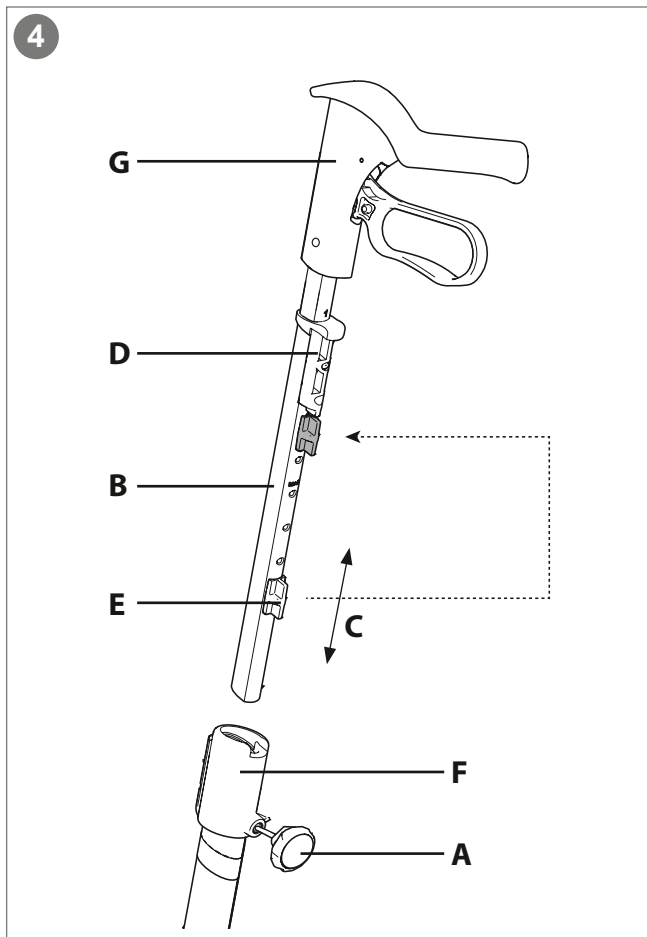
Ilustrace
Rozměry
Technická data
Čísla článků

TOPRO Olympos ATR M	814300
TOPRO Olympos ATR S	814305
TOPRO Olympos ATR M Slim	814320

1







10

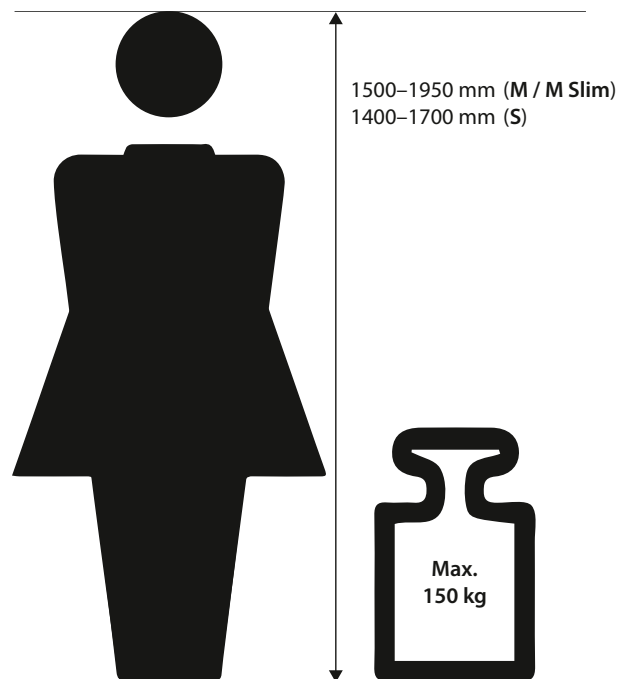
TOPRO TOPRO Olympos ATR (M) **3**
 Model no. 814300 **4**

1 TOPRO Industri AS
 Rambekkvegen 5, NO-2816 Gjøvik, Norway

2022-03-02 **5**
 SN 000278456152 **6**
 GTIN 7054321200703 **7**

Max 150kg **9** Max 770mm **10** Max 680mm **11** Max 990mm **13** MD **2** **12** **14**

CE **8**
 www.topromobility.com



Congratulations with your choice of a new TOPRO rollator

Every TOPRO rollator is developed, designed and manufactured in Norway. The product conforms to Medical Device Regulation (EU) 2017/745. It is tested and approved according to EN ISO 11199-2:2021. On receipt of the goods, please check your product. If you have any queries, please contact your mobility shop or dealer immediately. If you have problems reading this user manual, an electronic version is available on topromobility.com.

Intended use

The TOPRO Olympos ATR shall give support to users with reduced balance and/or reduced walking ability. It is designed to be pushed, not pulled. The integrated seat provides an opportunity for the user to rest if needed. The intended user is an adult. Height and weight restrictions apply. *Contraindications: The product is not suitable for persons with low strength in arms, with very poor balance, or with considerable cognitive disabilities. The product is designed and approved for outdoor use but can also be used indoors. Outdoors the rollator is intended to be an aid for walking on roads and paths. It is not suitable in rough and/or steep terrain, neither for stairs.*

To get to know the rollator and learn how to use it properly, training by a professional is recommended.

0 The grey numbered circles in this user manual refers to the numbered information graphic and illustrations inside the cover

1 Get to know your TOPRO product

- | | |
|--|---------------------------------|
| A Handle | I Shopping bag |
| B Brake lever | J Side frame |
| C Handle tube | K Edge guard |
| D Brake cable | L Brake block |
| E Seat bars / Carrying handle | M Tilting function |
| F Locking clamp | N Detachable rear wheels |
| G Seat with strap for folding mechanism | O Product label |
| H Lock wheel for the handle | |

2 Safety

When folding and unfolding the rollator, be aware so you do not hurt your fingers.

Be aware not to put your fingers in open holes or between stationary parts.

Make sure that the lock wheels for height adjustment of the handles are locked tight.

When stationary or parked, make sure the parking brakes on both sides are activated (A).

Do not use the rollator on stairs. Be careful when passing kerbs etc.

Check the brakes before use every time, and that the rollator locks in unfolded position.

Do not use the rollator to transport heavy loads or persons.

Be aware that some parts of the rollator might feel hot or cold when exposed to extreme temperatures.

Do not modify the product as this might put your safety at risk and the guarantee will become void.

Before sitting on the seat (C), make sure the parking brakes on both sides are activated (A).

To reduce the risk of falling, do not lean or bend sideways or over the back of the rollator whilst in the seated position (D). Do not tilt the rollator too much sideways, to avoid the risk of falling. For the same reason, bags etc. must never be hung on the handles.

To give the right support and safety, walk straight and make sure the rollator is kept as close to your body as possible (E). Walk between the rear wheels (F), not behind them (G).

Be aware that the rollator may roll faster than you when walking downhill, which may put you in risk of falling. Activate the driving brakes to adjust the speed (B).

Be careful when wearing fluttering skirts or trousers as they could get caught in the wheels, which could lead to falling. Wear sturdy footwear to avoid injuries.

For safety reasons it is prohibited to sit on the rollator during public transportation. Store your rollator safely and make sure the parking brakes on both sides are activated (A).

Do not use the rollator on slippery or icy surfaces.

Keep the rollator away from fire and hot items.

Do not climb on the rollator.

3 Unfolding / Folding

Unfolding: Release the lock clamp positioned at the seat bars (A). Press the seat bars down and outwards. The side frames will slide apart. Press down the seat bars (B). You will hear a clicking sound. The rollator is now locked in its open position.

Folding: Pull the strap on the seat (C) and press the side frames together.

Lock the clamp (D) over the seat bars.

Carrying the rollator: The rollator must not be carried by the seat strap or the brake cables. Fold the rollator as shown on the illustration (E). When folded, carry the rollator by the seat bars (F).

4 Handles / Memory function

Height adjusting: Untighten the lock wheel (A) (approx. 2 turns). Adjust the handle tube to a suitable height, then pull it slightly up and down (C) until you hear a clicking sound. Tighten the lock wheel (A). Adjust both handles to the same height by comparing the number scale on each side. *It is recommended that the handles are set to the same height as your wrists when your arms are hanging alongside your body.*

Memory Function: Decide on the height of the handles (see number scale). Count visible holes at the back of the handle tubes. Unscrew the lock wheel (A). Pull the tube (B) out of the frame. The fastening piece (D) will now follow the handle tube. Move the fastening piece (D) so that the number of holes above it equals to the previously counted holes. Fit the red memory chip (E) on the handle tube in the first available hole under the fastening piece (D). Push the handle tube (B) and fastening piece (D) downwards and into the side frame (F). Screw the lock wheel (A) halfway in. Pull the handle (G) up until it stops, and then tighten the lock wheel (A) properly. From now on, when the handles are in the lowest position, they will stop in the pre-set position when pulled up.

5 Brakes

Make sure the brakes are working before every trip. Each brake lever (A) works on each of the rear wheels. *Do not drive or push the rollator while the parking brakes are activated.*

Parking brakes: Push both brake levers (A) downwards until they lock. Both rear wheels are now locked. Squeeze both brake levers upwards to release the parking brakes.

Driving brakes: Pull both brake levers (B) upwards to reduce speed. *Do not use continuously while the rollator is in motion.*

Adjusting / checking: Loosen the nut (C). Tighten the brake cable (D) with the adjustment screw (E). Adjust the brake block (F) so the distance to the inner drum brake is approximately 1.5 mm, and then tighten the nut (C). Turn the wheel around to check that the brake block is not touching the wheel.

Maintaining: Clean the brake block (F) and the brake spring (G) regularly. The wheels and brakes can be replaced if they are worn out or damaged.

6 Detachable rear wheels

Removal: Loosen the brake lever. Push down the red button on the hub (A) and slide the wheel off the axle (B) while still pushing the button down.

Attachment: Loosen the brake lever. Slide the wheel onto the axle (B). Push the wheel as far as possible inwards on the axle to make the wheel snap onto the axle. You will hear a "click" when the wheel is in place. The wheel is securely fastened when the axle is completely visible in the middle of the hub (C). Gently pull the wheel to check that it is securely fastened to the axle. After the new wheel has been applied to the rollator, ensure that the brakes are functioning properly. Readjust them if necessary (see section *Brakes*).

7 Seat

The rollator has a safe and convenient mesh seat, which provides view to the ground while walking. It can easily be wiped off with a cloth if needed. The parking brakes must be activated before using the seat. Push both brake levers downwards until they lock (A). Both rear wheels are now locked. Sit with your back towards the bag (B).

8 Edge guard / Tilt function

Edge guard: The edge guards (A), which are in front of the rear wheels prevent the rear wheels from catching on corners, door frames etc.

Tilt function: To use the tilt function use the front of the foot and press down on the tilt pedal (B), which is beside the rear wheel. This helps to tilt the rollator over thresholds, edges etc. Please note: Be careful when passing kerbs etc.

9 Shopping bag

The bag holds up to 15 kilos and can be washed gently at up to 60 °C.

Mounting: Activate the parking brakes (A). Place the brackets on the bag (B) onto the carrying handles of the rollator and push them downwards. When positioned correctly, you will hear a clicking sound. Ensure that the brake cable still runs unrestrained along the frame (C).

Removal: Activate the parking brakes. Place your hands towards the front of the bag, on both sides. Lift the bag up while pressing it slightly together. Be aware so you do not hurt your fingers.

TOPRO ErgoGrip

TOPRO ErgoGrip offers ergonomic grip and support surfaces. The top front of the handles provides steady grip position when getting up from a chair or couch. Always make sure the parking brakes are activated when getting up from seated position. The ErgoGrip also offers extra support while standing. Always use the traditional grip position for easy access to the driving brakes while walking.

Transport

The rollator should be transported in the folded and locked position (see section *Unfolding / Folding*). Secure the locking clamp properly, which ensures that the rollator cannot unfold unintentionally. Be careful when loading the rollator into a vehicle, giving attention to securing it. The rollator can be laid down by lifting it by the frame tube.

Storage

The rollator should be stored in an upright position. If stored outdoors it must be under a cover to protect it. Do not leave your rollator unattended. Do not put heavy items on top of the rollator during storage.

Cleaning

The rollator can be cleaned using a damp cloth. In case of mud and grime accumulation, a cloth with a mild washing detergent can be used followed by rinsing with lukewarm water. Avoid flushing directly against ball bearings (in wheels and front forks). Do not use abrasives or steam wash. Dry the rollator using a soft cloth.

Disinfection

Disinfection must only be carried out by authorized personnel. Please contact your local dealer or mobility aid centre. During disinfection sufficient protective equip-

ment must be worn, and the instructions of the disinfectant manufacturer must be followed. The surface of the rollator should be cleaned with a soft cloth or sponge and an approved chemical disinfectant containing 70–80 % ethanol. We advise against disinfectant that contains chlorine or phenol. *The manufacturer cannot be held responsible for any damage or injuries that may occur using harmful disinfectant/measures or disinfection carried out by unauthorized personnel.*

Inspection / Maintenance / Re-use

It is recommended that inspection and maintenance are carried out regularly (frequency is determined by how and how often the rollator is used). Check the following items: Frame, screws, handles, handle tubes, brakes, brake parts, wheels, seat and accessories. This also applies when the rollator is to be prepared for re-use. Please see detailed instructions in this user manual about maintenance of brakes and cleaning/disinfection. The recommended maintenance is not a requirement, and no preventive maintenance is required provided that the rollator is used as intended according to this user manual.

Material / Recycling

The rollator is made of plastic-coated aluminium tubes, plastic couplings and material made of plastic and polyester. There are ball bearings in all wheels and forks. Most rollator parts can be recycled. Dispose the rollator and its packaging according to the applicable regulations in your country. For information, please contact your public authorities.

Warranty

TOPRO Olympos ATR is guaranteed free of faults and defects for 7 years. Damage caused by incorrect use or parts that are exposed to natural wear and tear (e.g., brake block, brake cable, wheel, bag, seat and handle) are exempt from the 7-year warranty. For repairs during the warranty period, please contact your local mobility shop or dealer. The warranty is void if unauthorised spare parts or accessories have been or are being used on the product. The expected lifespan of the product is estimated to be 10 years if it is used in the correct manner according to this user manual and its safety and maintenance instructions.

10 Product label

- 1 - Manufacturer
- 2 - Consult Instructions for use (blue icon)
- 3 - Model name
- 4 - Model number
- 5 - Date of manufacture
- 6 - Serial number
- 7 - Global Trade Item Number
- 8 - GS1 DataMatrix
- 9 - Maximum user weight
- 10 - Maximum length of rollator
- 11 - Maximum width / height of rollator
- 12 - Intended for outdoors use
- 13 - Medical Device
- 14 - CE marking (This product conforms to Medical Device Regulation (EU) 2017/745)

Accessories

	TOPRO Item No.
Back support with padding, 67 cm	815270
Back support with padding, 75 cm	815272
Tray (only for size M)	815212
Tray (only for size M Slim)	815363
Anti-slip mat for tray (only for size M)	814059
Anti-slip mat for tray (only for size M Slim)	815832
Crutch holder, grey	815358
Bottle holder, grey	815843
LED lamp with clip-on and USB plug	815260
Umbrella with attachment, black	814068
One-handed brake	814026
Guiding handle for the visually impaired	814014
Rear bag with zipper	814046
Name tag	814024
Roll resistance system (RRS), pair	814038
Transport bag	814042
Basket for oxygen bottle (only compressed, not liquid)	814009
Off-road wheels, set of four	815304
Studded tyres, 2 rear wheels	815332

Accessories mounted on the rollator may influence stability, we therefore advise you to use them with care. Accessories can be ordered separately to enable TOPRO Olympos ATR to be customized to individual needs. Contact your mobility shop, dealer or TOPRO for an updated overview of available accessories or visit our homepage topromobility.com.

Gratulerer med valget av en ny TOPRO-rullator

Hver TOPRO-rullator er utviklet, designet og produsert i Norge. Produktet er i samsvar med forordning av medisinsk utstyr (EU) 2017/745. Det er testet og godkjent i henhold til EN ISO 11199-2:2021. Ved mottak av varen, vennligst sjekk produktet. Hvis du har spørsmål, må du kontakte mobilitetsbutikken eller forhandleren umiddelbart. Hvis du har spørsmål, kontakt din forhandler umiddelbart. Hvis du har problemer med å lese denne brukerhåndboken, er en elektronisk versjon tilgjengelig topromobility.com.

Tiltenkt bruk

TOPRO Olympos ATR skal gi støtte til brukere med redusert balanse og/eller redusert gangevne. Den er designet for å skyves, ikke trekkes. Det integrerte setet gir brukeren muligheten til å hvile om nødvendig. Den tiltenkte brukeren er voksen. Høyde- og vektbegrensninger gjelder. *Kontraindikasjoner: Produktet er ikke egnet for personer med lav styrke i armene, med svært dårlig balanse eller med betydelig kognitiv funksjonshemming. Produktet er designet og godkjent for utendørs bruk, men kan også brukes innendørs. Utendørs er rullatoren ment å være et hjelpemiddel for å gå på veier og stier. Den er ikke egnet i ulendt og/eller bratt terreng, heller ikke for trapper.*

For å bli kjent med rullatoren og lære å bruke den riktig, anbefales opplæring av en profesjonell.

0 De grå nummererte sirkelene i denne brukerhåndboken refererer til den nummererte informasjonsgrafikken og illustrasjonene inne i omslaget

1 Bli kjent med TOPRO-produktet ditt

A Håndtak	I Handlekurv
B Bremssehendel	J Sideramme
C Håndtakstrør	K Kantavviser
D Bremssekabel	L Bremskloss
E Setestenger / Bærehåndtak	M Vippefunksjon
F Låseklemme	N Avtakbare bakhjul
G Sete med utløserstropp for foldemekanisme	O Produktetikett
H Låseratt for høydejustering	

2 Sikkerhet

Når du folder sammen/folder ut rullatoren, må du være oppmerksom slik at du ikke skader fingrene.

Vær oppmerksom på ikke å sette fingrene i åpne hull eller mellom stasjonære deler.

Pass på at låserattet for høydejustering for håndtakene er fastskrudd.

Når du står stille eller parkerer, må du kontrollere at parkeringsbremsene på begge sider er aktivert (A).

Ikke bruk rullatoren i trapper. Vær forsiktig når du passerer fortauskanten osv.

Kontroller bremsene før bruk hver gang, og at rullatoren låses i utfoldet stilling.

Ikke bruk apparatet til å transportere tung last eller personer.

Vær oppmerksom på at noen deler av rullatoren kan føles varme eller kalde når de utsettes for ekstreme temperaturer.

Produktet må ikke modifiseres, da dette kan sette din sikkerhet i fare, og garantien vil bli ugyldig.

Før du setter deg på setet (C), må du kontrollere at parkeringsbremsene på begge sider er aktivert (A).

For å redusere risikoen for fall, må du ikke lene deg/ bøye deg sidelengs eller over til baksiden av rullatoren, mens du sitter

på setet (D). Rullatoren må heller ikke vippes for mye sidelengs, for å unngå at den velter. Av samme grunn må poser etc. aldri henges på håndtakene.

For å gi riktig støtte og sikkerhet, gå rett og sørg for at rullatoren holdes så nær kroppen din som mulig (E). Gå mellom bakhjulene (F), ikke bak dem (G).

Vær oppmerksom på at rullatoren kan rulle raskere enn deg når du går nedoverbakke, noe som kan sette deg i fare for å falle. Aktiver kjørebremse for å justere hastigheten (B).

Vær forsiktig når du bruker flagrende skjørt eller bukser, da de kan bli sittende fast i hjulene, noe som kan føre til fall. Bruk solid fottøy for å unngå skader.

Av sikkerhetsmessige årsaker er det forbudt å sitte på rullatoren under offentlig transport. Oppbevar rullatoren på en sikker måte, og sørg for at parkeringsbremsene på begge sider er aktivert (A).

Ikke bruk rullatoren på glatte eller isete overflater.

Hold rullatoren unna ild og varme gjenstander.

Ikke klatre på rullatoren.

3 Utfolding / Sammenfolding

Utfolding: Løsne låseklemmen som er plassert på setestengene (A). Trykk setestengene ned og utover. Siderammene glir fra hverandre. Trykk ned setestengene (B). Du vil høre en klikkelyd. Rullatoren er nå låst i åpen stilling.

Sammenfolding: Trekk i stroppen på setet (C) og trykk siderammene sammen. Lås klemmen (D) over setestengene.

Bære rullatoren: Rullatoren må ikke bæres av utløserstroppen eller bremsekablene. Fold rullatoren sammen som vist på illustrasjonen (E). Bær rullatoren etter setestengene (F) når den er sammenfoldet.

4 Håndtak / Minnefunksjon

Høydejustering: Skru opp låserattet (A) (ca. 2 omdreininger). Juster håndtaksrøret til en passende høyde, og trekk det deretter litt opp og ned (C) til du hører en klikkelyd. Trekk til låserattet (A). Juster begge håndtakene til samme høyde ved å sammenligne tallskalaen på hver side. *Det anbefales at håndtakene er satt i samme høyde som håndleddene når armene henger ved siden av kroppen.*

Minnefunksjon: Bestem høyden på håndtakene (se tallskala). Tell antall synlige hull på baksiden av håndtaksrørene. Skru av låserattet (A). Trekk røret (B) ut av rammen. Festestykket (D) vil nå følge håndtaksrøret. Beveg festestykket (D) slik at antall hull over det tilsvarer de tidligere telte hullene. Monter den røde minnebrikken (E) på håndtaksrøret i det første tilgjengelige hullet under festestykket (D). Skyv håndtaksrøret (B) og festestykket (D) nedover og inn i siderammen (F). Skru låserattet (A) halvveis inn. Trekk håndtaket (G) opp til det stopper, og stram deretter låsehjulet (A) ordentlig. Fra nå av, når håndtaket er i laveste posisjon, vil det stoppe på forhåndsinnstilt høyde når det trekkes opp.

5 Bremses

Pass på at bremsene fungerer før hver tur. Hver bremsehendel (A) fungerer på hvert av bakhjulene. *Ikke kjør eller skyv rullatoren mens parkeringsbremsene er aktivert.*

Parkeringsbremses: Skyv begge bremsehendlene (A) nedover til de låses. Begge bakhjulene er nå låst. Klem begge bremsehendlene oppover for å deaktivere parkeringsbremsene.

Kjørebremser: Trekk begge bremsehendlene (B) oppover for å redusere hastigheten. *Må ikke brukes kontinuerlig mens rullatoren er i bevegelse.*

Justering/kontroll: Løsne mutteren (C). Stram bremsekabelen (D) med justerings-skruen (E). Juster bremseblokken (F) slik at avstanden til den indre trommelbremsen er ca. 1,5 mm, og stram deretter mutteren (C). Drei hjulet rundt for å kontrollere at bremseblokken ikke berører hjulet.

Vedlikehold: Rengjør bremseblokken (F) og bremsefjæren (G) ofte. Hjulene og bremsene kan byttes ut hvis de er utslitte eller skadet.

6 Avtakbare bakhjul

Fjerning: Løsne bremsehendelen. Trykk ned den røde knappen på navet (A) og skyv hjulet av akselen (B) mens du fortsatt trykker ned knappen.

Montering: Løsne bremsehendelen. Skyv hjulet på akselen (B). Skyv hjulet innover på akselen til det klikker på plass. Du vil høre et «klikk» når hjulet er på plass. Hjulet festes sikkert når akselen er helt synlig midt i navet (C). Trekk forsiktig I hjulet for å kontrollere at det er godt festet til akselen. Når det nye hjulet er påført rullatoren, må det kontrolleres at bremsene fungerer som de skal. Juster dem om nødvendig (se avsnittet *Bremses*).

7 Sete

Rullatoren har et trygt og praktisk nettingsete, som gir utsikt til bakken mens du går. Det kan lett tørkes av med en fuktig klut om nødvendig. Parkeringsbremsene må være aktivert før setet tas i bruk. Skyv begge bremsehendlene nedover til de låses (A). Begge bakhjulene er nå låst. Sitt med ryggen mot kurven (B).

8 Kantavviser / Vippefunksjon

Kantavviser: Kantaviser (A), som er foran bakhjulene hindrer bakhjulene i å fange på hjørner, dørkarmen etc.

Vippefunksjon: For å bruke vippefunksjonen, bruk forsiden av foten og trykk ned på vippepedalen (B), som er ved siden av bakhjulet. Dette bidrar til å vippe rullatoren over terskler, kanter etc. Merk: Vær forsiktig når du passerer fortauskanter osv.

9 Handlekurv

Handlekurven rommer opptil 15 kilo og kan vaskes forsiktig ved maksimum 60 °C.

Montering: Aktiver parkeringsbremsene (A). Plasser brakettene på kurven (B) på bærehåndtakene på rullatoren og trykk dem nedover. Når den er riktig plassert, hører du en klikkelyd. Påse at bremsekabelen fortsatt kan beveges uhindret langs rammen (C).

Fjerning: Aktiver parkeringsbremsene. Plasser hendene mot forsiden av kurven, på begge sider. Løft kurven opp mens den klemmes litt sammen. Vær oppmerksom slik at du ikke skader fingrene.

TOPRO ErgoGrip

TOPRO ErgoGrip tilbyr ergonomisk grep og støtteflater. Den øverste delen av håndtakene gir trygt grep når man reiser seg opp fra en stol eller sofa. Sørg alltid for at parkeringsbremsene er aktivert når du reiser deg opp fra sittende stilling. ErgoGrip tilbyr også ekstra støtte mens du står. Bruk alltid den tradisjonelle gripeposisjonen for enkel tilgang til kjørebremser mens du går.

Transport

Rullatoren skal transporteres i sammenfoldet og låst posisjon (se avsnittet *Utfolding / Sammenfolding*). Påse at låseklemmen er på, slik at rullatoren ikke kan utfolde seg utilsiktet. Vær forsiktig når du legger rullatoren inn i et kjøretøy, og pass på at den er forsvarlig sikret. Rullatoren kan legges ned ved å løfte den i rammerøret.

Lagring

Rullatoren bør oppbevares stående. Hvis den oppbevares utendørs, må den helst være under et tak/dekke for å beskytte den. Ikke la rullatoren stå uten tilsyn. Ikke legg tunge gjenstander oppå rullatoren under lagring.

Renhold

Rullatoren kan rengjøres med en fuktig klut. Ved opphopning av gjørme og smuss kan en klut med mildt vaskemiddel brukes etterfulgt av skylling med lunkent vann. Unngå å skylle direkte mot kulelagre (i hjul og forgaffer). Ikke bruk slipemidler eller dampvask. Tørk rullatoren med en myk klut.

Desinfeksjon

Desinfeksjon må kun utføres av autorisert personell. Ta kontakt med din lokale forhandler eller hjelpemiddelsentral. Under desinfeksjon må tilstrekkelig

verneutstyr brukes, og instruksjonene fra desinfeksjonsmiddelprodusenten må følges. Overflaten på rullatoren kan rengjøres med en myk klut eller svamp og et godkjent kjemisk desinfeksjonsmiddel som inneholder 70–80% etanol. Vi fraråder desinfeksjonsmiddel som inneholder klor eller fenol. *Produsenten kan ikke holdes ansvarlig for feil eller skader som kan oppstå ved bruk av skadelig desinfeksjonsmiddel/-metoder eller desinfeksjon utført av uautorisert personell.*

Inspeksjon / Vedlikehold / Gjenbruk

Det anbefales at inspeksjon og vedlikehold utføres regelmessig (frekvensen bestemmes av hvordan og hvor ofte rullatoren brukes). Kontroller følgende elementer: Rør, ramme, skruer, håndtak, håndtaksrør, bremses, bremsedeler, hjul, sete og tilbehør. Dette gjelder også når rullatoren skal klargjøres for gjenbruk. Se detaljerte instruksjoner i denne bruksanvisningen om vedlikehold av bremses og rengjøring/desinfeksjon. Det anbefalte vedlikeholdet er ikke et krav, og det er ikke nødvendig med forebyggende vedlikehold, forutsatt at rullatoren brukes som den skal i henhold til denne brukerhåndboken.

Materiale / Resirkulering

Rullatoren er laget av plastbelagte aluminiumsrør, plastkoblinger og materiale laget av plast og polyester. Det er kulelagre i alle hjul og gafler. De fleste rullatordeler kan resirkuleres. Kast rullatoren og emballasjen i henhold til gjeldende forskrifter i ditt land. Hvis du ønsker mer informasjon, vennligst kontakt offentlige myndigheter.

Garanti

TOPRO Olympos ATR er garantert fri for feil og mangler i 7 år. Skader forårsaket av feil bruk eller deler som utsettes for naturlig slitasje (f.eks. bremsekloss, bremsekabel, hjul, kurv, sete og håndtak) er unntatt fra garantien. For reparasjoner i garantiperioden, ta kontakt med din lokale mobilitetsbutikk eller forhandler. Garantien bortfaller hvis uautoriserte reservedeler eller tilbehør har blitt eller brukes på produktet. Produktets forventede levetid er beregnet til 10 år hvis det brukes på riktig måte i henhold til denne bruksanvisningen og dens sikkerhets- og vedlikeholdsinstruksjoner.

10 Produktetikett

- 1 - Fabrikant
- 2 - Se bruksanvisningen (blått ikon)
- 3 - Navn på modell
- 4 - Modellnummer
- 5 - Produksjonsdato
- 6 - Serienummer
- 7 - Varenummer for global handel
- 8 - GS1 DataMatrix
- 9 - Maksimal brukervekt
- 10 - Maksimal lengde på rullator
- 11 - Maksimal bredde/høyde på rullator
- 12 - Beregnet for utendørs bruk
- 13 - Medisinsk utstyr
- 14 - CE-merke (Dette produktet er i samsvar med forordningen om medisinsk utstyr (EU) 2017/745)

Tilbehør

	TOPRO Item No.
Ryggstøtte med polstring, 67 cm	815270
Ryggstøtte med polstring, 75 cm	815272
Brett (kun for størrelse M)	815212
Brett (kun for størrelse M Slim)	815363
Antisklimatte for brett (kun for størrelse M)	814059
Antisklimatte for brett (kun for størrelse M Slim)	815832
Krykkeholder, grå	815358
Flaskeholder, grå	815843
LED-lykt med klips og USB-kontakt	815260
Paraply med feste, svart	814068
Enhåndsbremse	814026
Styrehåndtak for ledsager til synshemmede	814014
Veske bak, med glidelås	814046
Navneskilt	814024
Rullestandssystem, par	814038
Transportbag	814042
Kurv for oksygenflaske (kun komprimert, ikke flytende)	814009
Terrenghjul, sett med fire	815304
Piggdekk, 2 bakhjul	815332

Tilbehør montert på rullatoren kan påvirke stabiliteten, vi anbefaler derfor at du bruker dem med forsiktighet. Tilbehør kan bestilles separat for å gjøre det mulig å tilpasse TOPRO Olympos ATR til individuelle behov. Kontakt din mobilitetsbutikk, forhandler eller TOPRO for en oppdatert oversikt over tilgjengelig tilbehør eller besøk vår hjemmeside topromobility.com.

Herzlichen Glückwunsch zur Wahl eines neuen TOPRO Rollators

Jeder TOPRO-Rollator wird in Norwegen entwickelt, entworfen und hergestellt. Das Produkt ist konform mit der Medizinprodukteverordnung (EU) 2017/745. Es ist nach EN ISO 11199-2:2021 geprüft und zugelassen. Bitte überprüfen Sie bei Erhalt der Ware Ihr Produkt. Bei Fragen wenden Sie sich bitte umgehend an Ihr Sanitätshaus oder Ihren Händler. Wenn Sie Probleme beim Lesen dieser Gebrauchsanleitung haben, finden Sie eine elektronische Version auf topromobility.com.

Verwendungszweck

Der TOPRO Olympos ATR soll Benutzer mit eingeschränktem Gleichgewicht und/oder verminderter Gehfähigkeit unterstützen. Er ist so konzipiert, dass er geschoben und nicht gezogen wird. Der integrierte Sitz bietet dem Benutzer die Möglichkeit, sich bei Bedarf auszuruhen. Der vorgesehene Benutzer ist ein Erwachsener. Es gelten Größen- und Gewichtsbeschränkungen. *Kontraindikationen: Das Produkt ist nicht für Personen mit geringer Kraft in den Armen, mit sehr schlechtem Gleichgewicht oder mit erheblichen kognitiven Einschränkungen geeignet. Das Produkt ist für den Außenbereich konzipiert und zugelassen, kann aber auch im Innenbereich verwendet werden. Im Freien soll der Rollator eine Hilfe beim Gehen auf Straßen und Wegen sein. Es ist nicht für unwegsames und/oder steiles Gelände geeignet, auch nicht für Treppen.*

Um den Rollator kennenzulernen und zu lernen, wie man ihn richtig benutzt, wird eine Schulung durch einen Fachmann empfohlen.

0 Die grauen nummerierten Kreise in dieser Bedienungsanleitung beziehen sich auf die nummerierten Informationsgrafiken und Abbildungen im Innenteil des Umschlags

1 Lernen Sie Ihr TOPRO Produkt kennen

- | | |
|--|---------------------------------|
| A Handgriff | I Einkaufstasche |
| B Bremshebel | J Seitenrahmen |
| C Handgriffrohr | K Kantenabweiser |
| D Bremskabel | L Bremsblock |
| E Sitzstangen / Tragegriff | M Ankipphilfe |
| F Verriegelungsklemme | N Abnehmbare Hinterräder |
| G Sitz mit Greifsnur für Klappmechanismus | O Produktetikett |
| H Verschlussrad für den Griff | |

2 Sicherheit

Achten Sie beim Falten und Entfalten des Rollators darauf, dass Sie sich Ihre Finger nicht verletzen.

Achten Sie darauf, Ihre Finger nicht in offene Löcher oder zwischen feststehende Teile zu stecken.

Stellen Sie sicher, dass das Verschlussrad zur Höhenverstellung der Griffe fest verriegelt ist.

Wenn Sie stehen oder parken, stellen Sie sicher, dass sich die Feststellbremsen auf beiden Seiten in der verriegelten Position befinden (A).

Verwenden Sie den Rollator nicht auf Treppen. Seien Sie vorsichtig, wenn Sie Bordsteine überqueren etc.

Überprüfen Sie die Bremsen vor dem Gebrauch jedes Mal und ob der Rollator in entfalteter Position einrastet.

Verwenden Sie den Rollator nicht zum Transportieren von Personen oder schwerer Lasten.

Beachten Sie, dass sich einige Teile des Rollators heiß oder kalt anfühlen können, wenn sie extremen Temperaturen ausgesetzt sind.

Ändern Sie das Produkt nicht, da dies Ihre Sicherheit gefährden könnte und die Garantie erlischt.

Bevor Sie sich auf den Sitz (C) setzen, stellen Sie sicher, dass sich die Feststellbremsen auf beiden Seiten in der verriegelten Position befinden (A).

Um das Risiko eines Sturzes zu vermeiden, lehnen oder beugen Sie sich nicht

seitlich oder zur Rückseite des Rollators, während Sie sich in sitzender Position befinden (D). Kippen Sie den Rollator nicht zu sehr zur Seite, um das Sturzrisiko zu vermeiden. Aus dem gleichen Grund dürfen Taschen etc. niemals an den Griffen aufgehängt werden.

Gehen Sie gerade und achten Sie darauf, dass der Rollator so nah wie möglich an Ihrem Körper gehalten wird (E), um den richtigen Halt und die Sicherheit zu gewährleisten. Gehen Sie zwischen den Hinterrädern (F), nicht hinter ihnen (G).

Beachten Sie, dass der Rollator beim Bergabgehen schneller rollen kann als Sie gehen, so dass die Gefahr besteht, dass Sie stürzen. Betätigen Sie die Fahrbremsen, um die Geschwindigkeit anzupassen (B).

Seien Sie vorsichtig, wenn Sie flatternde Röcke oder Hosen tragen, da sie sich in den Rädern verfangen könnten, was zu Stürzen führen könnte. Tragen Sie festes Schuhwerk, um Verletzungen zu vermeiden.

Aus Sicherheitsgründen ist es verboten, in öffentlichen Verkehrsmitteln auf dem Rollator zu sitzen. Lagern Sie Ihren Rollator sicher und stellen Sie sicher, dass die Feststellbremsen auf beiden Seiten betätigt sind (A).

Verwenden Sie den Rollator nicht auf rutschigen oder vereisten Oberflächen.

Halten Sie den Rollator von Feuer und heißen Gegenständen fern.

Klettern Sie nicht auf den Rollator.

3 Entfalten / Falten

Entfaltung: Lösen Sie die an den Sitzstangen positionierte Verriegelungsklemme (A). Drücken Sie die Sitzstangen nach unten und außen. Die Seitenrahmen gleiten auseinander. Drücken Sie die Sitzstangen (B) nach unten. Sie hören ein Klickgeräusch. Der Rollator ist nun in seiner offenen Position arretiert.

Falten: Ziehen Sie die Greifsnur am Sitz (C) und drücken Sie die Seitenrahmen zusammen. Verriegeln Sie die Klemme (D) über den Sitzstangen.

Tragen des Rollators: Der Rollator darf nicht am an der Greifsnur oder den Bremskabeln getragen werden. Falten Sie den Rollator zusammen, wie auf der Abbildung (E) gezeigt. Tragen Sie den Rollator an den Sitzstangen (F), wenn er zusammengeklappt ist.

4 Handgriffe / Memory-Funktion

Höhenverstellung: Schrauben Sie das Verschlussrad (A) auf (ca. 2 Umdrehungen). Stellen Sie das Handgriffrohr auf eine geeignete Höhe ein und ziehen Sie es dann leicht auf und ab (C), bis Sie ein Klickgeräusch hören. Ziehen Sie das Verschlussrad (A) fest. Stellen Sie beide Handgriffe auf die gleiche Höhe ein, indem Sie die Zahlenskala auf jeder Seite vergleichen. *Es wird empfohlen, die Handgriffe auf die gleiche Höhe wie Ihre Handgelenke einzustellen, wenn Ihre Arme neben Ihrem Körper hängen.*

Memory-Funktion: Legen Sie die Höhe der Handgriffe fest (siehe Zahlenskala). Zählen Sie die sichtbaren Löcher an der Rückseite der Griffrohre. Schrauben Sie das jeweilige Verschlussrad (A) auf. Ziehen Sie das Handgriffrohr (B) aus dem Rahmen. Das Befestigungsstück (D) folgt nun dem Handgriffrohr. Verschieben Sie das Befestigungsstück (D) so, dass die Anzahl der gezählten Löcher über ihm mit der zuvor gezählten Löchern übereinstimmt. Montieren Sie den roten Speicherchip (E) auf dem Handgriffrohr in das erste verfügbare Loch unter dem Befestigungsstück (D). Drücken Sie das Griffrohr (B) und das Befestigungsstück (D) nach unten und in den Seitenrahmen (F). Schrauben Sie das Verschlussrad (A) zur Hälfte ein. Ziehen Sie den Handgriff (G) nach oben, bis er stoppt, und ziehen Sie dann das Verschlussrad (A) richtig fest. Wenn sich die Griffe in der niedrigsten Position befinden, stoppen sie von nun an in der voreingestellten Position, wenn sie hochgezogen werden.

5 Bremsen

Stellen Sie vor jeder Fahrt sicher, dass die Bremsen funktionieren. Jeder Bremshebel (A) funktioniert an jedem der Hinterräder. *Fahren oder schieben Sie den Rollator nicht, während die Feststellbremsen aktiviert sind!*

Feststellbremsen: Drücken Sie beide Bremshebel (A) nach unten, bis sie blockieren. Beide Hinterräder sind nun gesperrt. Ziehen Sie beide Bremshebel nach oben, um die Feststellbremsen zu lösen.

Fahrbremsen: Ziehen Sie beide Bremshebel nach oben, um die Geschwindigkeit zu drosseln. *Nicht kontinuierlich verwenden, während der Rollator in Bewegung ist.*

Einstellen / Prüfen: Lösen Sie die Mutter (C). Ziehen Sie das Bremskabel (D) mit der Einstellschraube (E) fest. Stellen Sie den Bremsblock (F) so ein, dass der Abstand zur inneren Trommelbremse ungefähr 1,5 mm beträgt, und ziehen Sie dann die Mutter (C) fest. Drehen Sie das Rad, um sicherzustellen, dass der Bremsblock das Rad nicht berührt.

Wartung: Reinigen Sie den Bremsblock (F) und die Bremsfeder (G) häufig. Die Räder und Bremsen können ausgetauscht werden, wenn sie abgenutzt oder beschädigt sind.

6 Abnehmbare Hinterräder

Entfernen: Lösen Sie den Bremshebel. Drücken Sie den roten Knopf an der Nabe (A) nach unten und schieben Sie das Rad von der Achse (B), während Sie den Knopf weiterhin nach unten drücken.

Befestigung: Lösen Sie den Bremshebel. Schieben Sie das Rad auf die Achse (B). Drücken Sie das Rad so weit wie möglich nach innen auf die Achse, damit das Rad an der Achse einrastet. Sie hören ein «Klicken», wenn das Rad an Ort und Stelle ist. Das Rad ist sicher befestigt, wenn die Achse in der Mitte der Nabe (C) vollständig sichtbar ist. Ziehen Sie das Rad vorsichtig, um zu überprüfen, ob es sicher an der Achse befestigt ist. Nachdem das neue Rad am Rollator angebracht wurde, vergewissern Sie sich, dass die Bremsen ordnungsgemäß funktionieren. Stellen Sie sie bei Bedarf nach (*siehe Abschnitt Bremsen*).

7 Sitz

Der Rollator verfügt über einen sicheren und bequemen Netzsitz, durch den Sie beim Gehen einen freien Blick auf den Boden haben. Er kann bei Bedarf leicht mit einem Tuch abgewischt werden. Die Feststellbremsen müssen betätigt sein, bevor Sie den Sitz benutzen. Drücken Sie beide Bremshebel nach unten, bis sie einrasten (A). Beide Hinterräder sind nun gesperrt. Setzen Sie sich mit dem Rücken zur Einkaufstasche (B).

8 Kantenschutz / Kippfunktion

Kantenschutz: Der Kantenschutz (A), der sich vor den beiden Hinterrädern befindet, verhindert, dass sich die Hinterräder an Ecken, Türrahmen etc. verfangen.

Kippfunktion: Um die Kippfunktion zu nutzen, verwenden Sie die Vorderseite des Fußes und drücken Sie auf das Kippedal (B), das sich neben dem Hinterrad befindet. Dieses hilft, den Rollator über Schwellen, Kanten usw. zu neigen. Bitte beachten Sie: Seien Sie vorsichtig, wenn Sie Bordsteine überqueren etc.

9 Einkaufstasche

Die Tasche fasst bis zu 15 Kilo und kann schonend bei bis zu 60 °C gewaschen werden.

Montage: Aktivieren Sie die Feststellbremsen (A). Setzen Sie die Halterungen an der Tasche (B) auf die Tragegriffe des Rollators und drücken Sie die Halterungen nach unten. Bei richtiger Positionierung hören Sie ein Klickgeräusch. Stellen Sie sicher, dass das Bremskabel noch ungehindert am Rahmen entlang läuft (C).

Abnehmen: Ziehen Sie die Feststellbremsen an. Legen Sie Ihre Hände auf beiden Seiten an die Vorderseite der Tasche. Heben Sie die Tasche an und drücken Sie sie dabei leicht zusammen. Seien Sie vorsichtig, damit Sie sich nicht die Finger verletzen.

TOPRO ErgoGrip

TOPRO ErgoGrip bietet ergonomische Griff- und Auflageflächen. Die obere Vorderseite der Griffe bietet eine stabile Griffposition beim Aufstehen von einem Stuhl oder einer Couch. Stellen Sie immer sicher, dass die Feststellbremsen aktiviert sind, wenn Sie aus einer sitzenden Position aufstehen. Der ErgoGrip bietet auch im Stehen zusätzlichen Halt. Verwenden Sie immer die traditionelle Griffposition, um beim Gehen leichten Zugang zu den Fahrbremsen zu haben.

Transport

Der Rollator sollte in der gefalteten und verriegelten Position transportiert werden (siehe Absatz Entfalten und Falten). Stellen Sie sicher, dass die Verriegelungsklemme eingerastet ist, damit sich der Rollator nicht unbeabsichtigt entfalten kann. Seien Sie vorsichtig, wenn Sie den Rollator in ein Fahrzeug laden, und achten Sie darauf, ihn zu sichern. Der Rollator kann abgelegt werden, indem er am Rahmenrohr angehoben wird.

Lagerung

Der Rollator sollte in aufrechter Position gelagert werden. Wenn er im Freien gelagert wird, muss er zum Schutz abgedeckt werden. Lassen Sie Ihren Rollator nicht unbeaufsichtigt. Legen Sie während der Lagerung keine schweren Gegenstände auf den Rollator.

Reinigung

Der Rollator kann mit einem feuchten Tuch gereinigt werden. Bei Schlamm- und Schmutzansammlungen können Sie ein Tuch mit einem milden Reinigungsmittel verwenden und anschließend mit lauwarmem Wasser abspülen. Vermeiden Sie direkt gegen Kugellager (in Rädern und Vordergabeln) zu spülen. Verwenden Sie keine Scheuermittel oder Dampfstrahlgeräte. Trocknen Sie den Rollator mit einem weichen Tuch ab.

Desinfektion

Die Desinfektion darf nur von autorisiertem Personal durchgeführt werden. Bitte wenden Sie sich an Ihren Händler oder Ihr Sanitätshaus vor Ort. Während der Desinfektion ist eine ausreichende Schutzausrüstung zu tragen, und die Anweisungen des Desinfektionsmittelherstellers müssen befolgt werden. Die Oberfläche des Rollators sollte mit einem weichen Tuch oder Schwamm und einem zugelassenen chemischen Desinfektionsmittel, das 70–80 % Ethanol enthält, gereinigt werden. Wir raten von chlor- und phenolhaltigen Desinfektionsmitteln ab. *Der Hersteller kann nicht für Schäden oder Verletzungen haftbar gemacht werden, die durch schädliche Desinfektionsmittel/-maßnahmen oder Desinfektion durch unbefugtes Personal verursacht wurden.*

Inspektion / Wartung / Wiederverwendung

Es wird empfohlen, regelmäßig eine Inspektion und Wartung durchzuführen (die Häufigkeit hängt davon ab, wie und wie oft der Rollator verwendet wird). Überprüfen Sie die folgenden Punkte: Rahmen, Schrauben, Handgriffe, Handgriffrohre, Bremsen, Bremsteile, Räder, Sitz und Zubehör. Dies gilt auch, wenn der Rollator für die Wiederverwendung vorbereitet werden soll. Bitte beachten Sie die detaillierten Anweisungen in dieser Bedienungsanleitung zur Wartung der Bremsen und zur Reinigung / Desinfektion. Die empfohlene Wartung ist keine Anforderung, und es ist keine vorbeugende Wartung erforderlich, sofern der Rollator gemäß dieser Gebrauchsanweisung bestimmungsgemäß verwendet wird.

Material / Recycling

Der Rollator besteht aus kunststoffbeschichteten Aluminiumrohren, Kunststoffkupplungen und Material aus Kunststoff und Polyester. In allen Rädern und Gabeln befinden sich Kugellager. Die meisten Rollatorteile können recycelt werden. Entsorgen Sie den Rollator und seine Verpackung gemäß den geltenden Vorschriften in Ihrem Land. Für weitere Informationen wenden Sie sich bitte an Ihre Behörden.

Garantie

Für den TOPRO Olympos ATR wird eine Garantie von 7 Jahren auf Fehler- und Mängelfreiheit gewährt. Schäden durch unsachgemäße Verwendung oder Teile, die natürlichem Verschleiß ausgesetzt sind (z.B. Bremsblock, Bremskabel, Rad, Einkaufstasche, Sitz und Griff) sind von der 7-Jahres-Garantie ausgenommen. Für Reparaturen während der Garantiezeit wenden Sie sich bitte an Ihr örtliches Sanitätshaus oder Ihren Händler. Die Garantie erlischt, wenn nicht autorisierte Ersatzteile oder Zubehörteile auf dem Produkt verwendet wurden oder werden. Die erwartete Lebensdauer des Produkts wird auf 10 Jahre geschätzt, wenn es gemäß dieser Gebrauchsanweisung und ihren Sicherheits- und Wartungsanweisungen korrekt verwendet wird.

10 Produktetikett

- 1 - Hersteller
- 2 - Siehe Gebrauchsanweisung (blaues Symbol)
- 3 - Modellbezeichnung
- 4 - Modellnummer
- 5 - Herstellungsdatum
- 6 - Seriennummer
- 7 - Globale Handelsartikelnummer (GTIN)
- 8 - GS1 DataMatrix
- 9 - Maximales Benutzergewicht
- 10 - Maximale Länge des Rollators
- 11 - Maximale Breite / Höhe des Rollators
- 12 - Für den Außenbereich bestimmt
- 13 - Medizinisches Gerät
- 14 - CE-Kennzeichnung (Dieses Produkt ist konform mit der Medizinprodukteverordnung (EU) 2017/745)

Zubehör

	TOPRO Item No.
Rückengurt mit Polsterung, 67 cm	815270
Rückengurt mit Polsterung, 75 cm	815272
Tablett (nur für Größe M)	815212
Tablett (nur für Größe M Slim)	815363
Antirutschmatte für Tablett (nur für Größe M)	814059
Antirutschmatte für Tablett (nur für Größe M Slim)	815832
Stockhalter, grau	815358
Getränkehalter, grau	815843
LED-Lampe mit Clip und USB-Stecker	815260
Schirm mit Halterung, schwarz	814068
Einhand-Simultanbremse	814026
Handgriff für Begleitperson	814014
Gepäcktasche mit Reißverschluss	814046
Namensschild	814024
Rollwiderstandssystem (RWS), Paar	814038
Transporttasche	814042
Netzkorb für Sauerstoffflasche (nur komprimiert, nicht flüssig)	814009
Offroad-Räder, Satz mit 4	815304
Spikeräder, Paar Hinterräder	815332

Zubehör, das auf dem Rollator montiert ist, kann die Stabilität beeinflussen, wir empfehlen Ihnen daher, es mit Vorsicht zu verwenden. Zubehör kann separat bestellt werden, um den TOPRO Olympos ATR an individuelle Bedürfnisse anzupassen. Kontaktieren Sie Ihr Sanitätshaus, Ihren Händler oder TOPRO für eine aktualisierte Übersicht über verfügbares Zubehör oder besuchen Sie unsere Homepage topromobility.com.

Gefeliciteerd met uw keuze voor een nieuwe TOPRO-rollator

Elk TOPRO-rollator wordt ontwikkeld, ontworpen en geproduceerd in Noorwegen. Het product voldoet aan de Medical Device Regulation (EU) 2017/745. Het is getest en goedgekeurd volgens EN ISO 11199-2:2021. Controleer bij ontvangst van de goederen uw product. Als u vragen heeft, neem dan onmiddellijk contact op met uw mobiliteitswinkel of dealer. Als u problemen ondervindt bij het lezen van deze gebruikershandleiding, is een digitale versie beschikbaar op topromobility.com.

Beoogd gebruik

De TOPRO Olympos ATR biedt ondersteuning aan gebruikers met een verminderd evenwicht en/of verminderd loopvermogen. Het is ontworpen om te worden geduwd, niet getrokken. Het geïntegreerde zitje biedt de gebruiker de mogelijkheid om te rusten indien nodig. De beoogde gebruiker is een volwassene. Er gelden lengte- en gewichtsbependingen. *Contra-indicaties: Het product is niet geschikt voor personen met een weinig kracht in de armen, met een zeer slechte balans of met aanzienlijke cognitieve beperkingen. Het product is ontworpen en goedgekeurd voor gebruik buitenshuis, maar kan ook binnenshuis worden gebruikt. Buiten is de rollator bedoeld als hulpmiddel bij het lopen op wegen en paden. Het is niet geschikt in ruw en/of steil terrein, noch voor trappen.*

Om de rollator te leren kennen en te leren hoe deze op de juiste manier te gebruiken, wordt training door een professional aanbevolen.

0 De grijs genummerde cirkels in deze gebruikershandleiding verwijzen naar de genummerde informatieafbeelding en illustraties in de omslag

1 Maak kennis met uw TOPRO-product

- | | |
|---|----------------------------------|
| A Handvat | I Boodschappentas |
| B Remhendel | J Zijframe |
| C Handvatbuis | K Stootrand |
| D Remkabel | L Remblok |
| E Bevestigingsstang voor zitje/netje | M Drempeelhulp |
| F Fixatieklem | N Afneembare achterwielen |
| G Zitje | O Productlabel |
| H Fixatieknop | |

2 Veiligheid 

Let er bij het opvouwen/uitvouwen van de rollator op dat u uw vingers niet bezeert.

Let op dat u uw vingers niet in open gaten of tussen stilstaande delen steekt.

Zorg ervoor dat de fixatieknoppen voor de in hoogte verstelbare handgrepen goed zijn aangedraaid.

Gebruik bij stilstaan of geparkeerd altijd de parkeerrem aan beide zijden (A).

Gebruik de rollator niet op trappen. Wees voorzichtig bij het passeren van stoepranden enz.

Controleer de remmen voor elk gebruik en controleer of de rollator in uitgevouwen positie is vergrendeld.

Gebruik de rollator niet om zware lasten of personen te vervoeren.

Houd er rekening mee dat sommige delen van de rollator warm of koud kunnen aanvoelen bij blootstelling aan extreme temperaturen.

Wijzig het product niet, omdat dit uw veiligheid in gevaar kan brengen en de garantie hierbij vervalt.

Voordat u op het zitje (C) gaat zitten, moet u ervoor zorgen dat de parkeerremmen aan beide zijden in vergrendelde stand (A) staan.

Om het risico van vallen te voorkomen, mag u niet zijwaarts of voorover leunen of buigen naar de achterkant van de rollator

terwijl u in de zittende positie zit (D). Kantel de rollator niet te veel zijwaarts, om het risico op vallen te voorkomen. Om dezelfde reden mogen tassen e.d. nooit aan de handvatten worden gehangen.

Om de juiste ondersteuning en veiligheid te geven, loopt u rechtop en zorgt u ervoor dat de rollator zo dicht mogelijk bij uw lichaam wordt gehouden (E). Loop tussen de achterwielen (F), niet erachter (G).

Wees ervan bewust dat de rollator bergafwaarts sneller dan u kan gaan, waardoor u het risico loopt te vallen. Activeer de remmen om de snelheid (B) aan te passen.

Zeer lange of wijde kleding kan klem raken in de wielen van de rollator, wat kan leiden tot vallen. Het wordt daarom afgeraden zulke kleding te dragen tijdens het gebruik van de rollator. Draag stevig schoeisel om blessures te voorkomen.

Wanneer u gebruik maakt van het openbaar vervoer wordt het ernstig afgeraden om op het zitje van de rollator te gaan zitten. Zet uw rollator vast door de parkeerremmen aan beide zijden te activeren (A).

Gebruik de rollator niet op gladde of ijzige oppervlakten.

Houd de rollator uit de buurt van vuur en hete voorwerpen.

Klim niet op de rollator.

3 Uitvouwen / Vouwen

Uitvouwen: Maak de fixatieklem los die zich op de bevestigingsstangen voor het zitje/netje (A) bevindt. Druk de bevestigingsstangen naar beneden en naar buiten. De zijframes schuiven uit elkaar. Druk de bevestigingsstangen (B) naar beneden. U hoort een klikkend geluid. De rollator zit nu vast in zijn open stand.

Vouwen: Trek aan het trekkoord op de zitting (C) en druk de zijframes tegen elkaar. Vergrendel de fixatieklem (D) over de bevestigingsstangen.

Het dragen van de rollator: De rollator mag niet worden gedragen bij de zitting of de remkabels. Vouw de rollator samen zoals weergegeven op de afbeelding (E). Draag de rollator bij de bevestigingsstangen voor het zitje/netje (F) wanneer neergeklapt.

4 Duwhandvatten / Geheugenfunctie

Hoogteverstelling: Draai de fixatieknop (A) los (ca. 2 omwentelingen). Stel de duwstangen in op een geschikte hoogte en trek ze vervolgens iets op en neer (C) totdat u een klikkend geluid hoort. Draai de fixatieknop (A) opnieuw vast. Stel beide duwhandvatten op dezelfde hoogte in door de getallenschaal aan elke kant te vergelijken. *Het wordt aanbevolen dat de duwstangen op dezelfde hoogte zijn ingesteld als uw polsen wanneer uw armen naast uw lichaam hangen.*

Geheugenfunctie: Bepaal de hoogte van de duwhandvatten (zie getallenschaal). Tel zichtbare gaten aan de achterkant van de duwstangen. Draai de fixatieknop (A) los. Trek de duwstang (B) uit het frame. Het bevestigingsstuk (D) komt nu met het handvat uit het frame. Verplaats het bevestigingsstuk (D) zodat het gewenste aantal gaten bereikt is. Plaats het rode memoryblokje (E) op de duwstang in het eerste beschikbare gat onder het bevestigingsstuk (D). Duw de duwstang (B) en het bevestigingsstuk (D) naar beneden en in het zijframe (F). Draai de fixatieknop (A) half aan. Trek het duwhandvat (G) omhoog totdat deze stopt en draai vervolgens de fixatieknop (A) goed aan. Vanaf nu zullen de duwstangen altijd in de gewenste hoogte stoppen wanneer u deze uit het frame omhoog trekt.

5 Remmen

Zorg ervoor dat de remmen werken voor elke gebruik van de rollator. Elk achterwiel werkt met zijn eigen remhendel (A). *Rijd of duw de rollator niet terwijl de parkeerremmen zijn geactiveerd!*

Parkeerremmen: Duw beide remhendels (A) naar beneden totdat ze vergrendelen. Beide achterwielen zijn nu vergrendeld. Knijp beide remhendels omhoog om de parkeerremmen los te laten.

Remmen: Trek beide remhendels (B) omhoog om de snelheid te verminderen. *Gebruik de remmen niet voortdurend terwijl u zich met de rollator voortbeweegt.*

Afstellen / controleren: Maak de moer los (C). Draai de remkabel (D) vast met de stelschroef (E). Stel de remblok (F) zo dicht mogelijk bij de trommel, ongeveer 1,5 mm en draai vervolgens de moer (C) vast. Laat het wiel draaien om te controleren dat de remblok het wiel niet raakt.

Onderhoud: Reinig het remblok (F) en de remveer (G) regelmatig. De wielen en remmen kunnen worden vervangen als ze versleten of beschadigd zijn.

6 Afneembare achterwielen

Verwijderen: Maak de remhendel los. Druk op de rode knop bij de naaf (A) en schuif het wiel van de as (B) terwijl u de knop ingedrukt houdt.

Bevestigen: Maak de remhendel los. Schuif het wiel op de as (B). Duw het wiel zo ver mogelijk naar binnen op de as om het wiel op de as te klikken. U hoort een "klik" als het wiel op zijn plaats zit. Het wiel zit stevig vast als de as in het midden van de naaf volledig zichtbaar is (C). Trek voorzichtig aan het wiel om te controleren of het stevig aan de as is bevestigd. Controleer nadat de wielen weer op de rollator zijn aangebracht of de remmen goed werken. Stel indien nodig de remmen opnieuw af (*zie sectie Remmen*).

7 Zitting

De rollator heeft een veilige en handige doorkijkzitting, waardoor u tijdens het lopen zicht op de grond heeft. Het zitje kan gemakkelijk worden gereinigd met een doek indien nodig. De parkeerremmen moeten erop staan voordat u op het zitje gaat zitten. Duw beide remhendels naar beneden totdat ze vergrendelen (A). Beide achterwielen zijn nu vergrendeld. Ga met uw rug naar de boodschappentas (B) zitten.

8 Stootrand / Drempelhulpfunctie

Stootrand: De stootrand (A), die zich voor de achterwielen bevinden, bieden bescherming tegen uitstekende randen, deurstijlen enz.

Drempelhulp functie: Om de drempelhulp functie te gebruiken, gebruikt u de voorkant van de voet en drukt u op de drempelhulp (B), die zich naast het achterwiel bevindt. Deze helpt u om met de rollator drempels, stoepranden etc. te trotseren. Let op: Wees voorzichtig bij het passeren van stoepranden enz.

9 Boodschappentas

De boodschappentas is belastbaar tot 15 kg en kan voorzichtig schoongemaakt worden tot 60 °C.

Montage: Activeer de parkeerremmen (A). Plaats de beugels van de tas (B) op de bevestigingsstangen van de rollator en duw ze naar beneden totdat u een klikkend geluid hoort. Zorg ervoor dat de remkabel nog steeds vrij langs het frame loopt (C).

Verwijderen: Activeer de parkeerremmen. Plaats beide handen naar de voorzijde van de boodschappentas, elke hand op een zijde. Til de boodschappentas op terwijl u de tas een beetje bijeen drukt. Dit zorgt ervoor dat hij los komt. Gebruik altijd beide handen wanneer u deze handeling uitvoert.

TOPRO ErgoGrip

TOPRO Ergo Grip biedt een ergonomische grip en ondersteuning. De handgreep aan de voorkant van het handvat zorgt ervoor dat u een betere houvast heeft bij het opstaan vanuit een stoel of bank. Zorg er altijd voor dat de rollator op de parkeerrem staat bij het opstaan. De Ergogrip biedt ook extra steun als u bij de rollator staat. Wanneer u de rollator duwt dienen uw handen te allen tijde op de handvatten te rusten, zodat u snel bij de remmen kunt als dat nodig is.

Vervoer

De rollator moet in de gevouwen en vergrendelde positie worden vervoerd (zie paragraaf *Uitvouwen / Vouwen*). Zorg ervoor dat de fixatieklem vast zit, zodat de rollator niet onverwachts kan uitvouwen. Wees voorzichtig bij het laden van de rollator in een voertuig en let erop dat de rollator goed vergrendeld is. De rollator kan worden neergelegd door deze bij de framebuis op te tillen.

Opslag

De rollator moet rechtop worden opgeborgen. Als het buiten wordt opgeslagen, moet het onder een afdekking zijn om het te beschermen. Laat uw rollator niet onbeheerd achter. Leg geen zware voorwerpen op de rollator tijdens het opbergen.

Reiniging

De rollator kan worden gereinigd met een vochtige doek. In geval van modder- en vuilophoping kan een doek met een mild wasmiddel worden gebruikt, gevolgd door spoelen met lauw water. Vermijd spoelen direct tegen kogellagers (in wielen en voorvorken). Gebruik geen schuurmiddelen of stoomwas. Droog de rollator met een zachte doek.

Desinfectie

Desinfectie mag alleen worden uitgevoerd door bevoegd personeel. Neem contact op met uw lokale dealer of mobiliteitshulpcentrum. Tijdens de desinfectie moeten voldoende beschermingsmiddelen worden gedragen en moeten de instructies van de fabrikant van het ontsmettingsmiddel worden opgevolgd. Het oppervlak van de rollator moet worden gereinigd met een zachte doek of spons en een goedgekeurd chemisch ontsmettingsmiddel dat 70–80 % ethanol bevat. Wij raden af om een desinfectiemiddel dat chloor of fenol bevat af te keuren. *De fabrikant kan niet verantwoordelijk worden gehouden voor eventuele schade of verwondingen die zijn opgetreden met behulp van schadelijk desinfectiemiddel/-methoden of desinfectie uitgevoerd door onbevoegd personeel.*

Inspectie / Onderhoud / Hergebruik

Het wordt aanbevolen om regelmatig inspectie en onderhoud uit te voeren (frequentie wordt bepaald door hoe en hoe vaak de rollator wordt gebruikt). Controleer de volgende items: Frame, schroeven, handgrepen, handvatbuizen, remmen, remonderdelen, wielen, zitje en accessoires. Dit geldt ook wanneer de rollator klaargemaakt moet worden voor hergebruik. Zie de gedetailleerde instructies in deze gebruikershandleiding over onderhoud van remmen en reiniging/desinfectie. Het aanbevolen onderhoud is geen vereiste en er is geen preventief onderhoud vereist, op voorwaarde dat de rollator wordt gebruikt zoals bedoeld volgens deze gebruikershandleiding.

Materiaal / Recycling

De rollator is gemaakt van aluminium buizen met een kunststof coating, kunststof koppelingen en materiaal van plastic en polyester. Er bevinden zich kogellagers in alle wielen en vorken. De meeste rollatoronderdelen kunnen worden gerecycled. Voer de rollator en de verpakking af volgens de geldende voorschriften in uw land. Neem voor meer informatie contact op met uw gemeente.

Garantie

TOPRO Olympos ATR is gegarandeerd vrij van fouten en defecten gedurende 7 jaar. Schade veroorzaakt door onjuist gebruik of onderdelen die zijn blootgesteld aan natuurlijke slijtage (bijv. remblok, remkabel, wiel, boodschappentas, zitje en handvat) zijn vrijgesteld van de garantie van 7 jaar. Neem voor reparaties tijdens de garantieperiode contact op met uw lokale mobiliteitswinkel of dealer. De garantie vervalt als er ongeautoriseerde reserveonderdelen of accessoires op het product zijn of worden gebruikt. De verwachte levensduur van het product wordt geschat op 10 jaar als het op de juiste manier wordt gebruikt volgens deze gebruikershandleiding en de veiligheids- en onderhoudsinstructies.

10 Productlabel

- 1 - Fabrikant
- 2 - Raadpleeg de gebruiksaanwijzing (blauw pictogram)
- 3 - Modelnaam
- 4 - Modelnummer
- 5 - Datum van vervaardiging
- 6 - Serienummer
- 7 - Nummer van de wereldhandelspost
- 8 - GS1 DataMatrix
- 9 - Maximaal gebruikersgewicht
- 10 - Maximale lengte van de rollator
- 11 - Maximale breedte / hoogte van de rollator
- 12 - Bedoeld voor gebruik buiten
- 13 - Medisch hulpmiddel
- 14 - CE-markering (Dit product voldoet aan richtlijn medische hulpmiddelen (EU) 2017/745)

Accessories

	TOPRO Item No.
Rugsteun inclusief polstering, 67 cm	815270
Rugsteun inclusief polstering, 75 cm	815272
Dienblad (alleen voor maat M)	815212
Dienblad (alleen voor maat M Slim)	815363
Antislipmat voor dienblad (alleen voor maat M)	814059
Antislipmat voor dienblad (alleen voor maat M Slim)	815832
Stokhouder, grijs	815358
Bidonhouder, grijs	815843
LED-lampje met klip en USB-contact	815260
Paraplu met bevestiging, zwart	814068
Eenzijdige beremming	814026
Duwhandgreep voor begeleider	814014
Tas met rits	814046
Naamplaatje	814024
Rolweerstandssysteem, paar	814038
Transporttas	814042
Zuurstoffleshouder (alleen samengeperst, niet vloeibaar)	814009
High profile soft wielen, set met 4 wielen	815304
High profile soft achterwielen met spikes, paar	815332

Accessoires gemonteerd op de rollator kunnen de stabiliteit beïnvloeden, daarom raden wij u aan om ze met zorg te gebruiken. Accessoires kunnen afzonderlijk worden besteld om TOPRO Olympos ATR aan te passen aan individuele behoeften. Neem contact op met uw mobiliteitswinkel, dealer of TOPRO voor een bijgewerkt overzicht van beschikbare accessoires of bezoek onze homepage [topromobility.com](https://www.topromobility.com).

Grattis till ditt val av ny TOPRO rollator

Varje TOPRO-rollator är utvecklad, konstruerad och tillverkad i Norge. Produkten uppfyller förordningen om medicintekniska produkter (EU) 2017/745. Den är testad och godkänd enligt EN ISO 11199-2:2021. Kontrollera din produkt vid mottagandet av varorna. Om du har några frågor, vänligen kontakta din hjälpmedelscentral eller återförsäljare omedelbart. Om du har problem med att läsa den här användarhandboken finns en elektronisk version tillgänglig på topromobility.com.

Avsedd användning

TOPRO Olympos ATR ska ge stöd till användare med nedsatt balans och/eller nedsatt gångförmåga. Den är utformad för att skjutas framåt, inte dras. Den integrerade sitsen ger användaren möjlighet att vila vid behov. Rollatorn är avsedd för vuxna. Längd- och viktbegränsningar gäller. *Kontraindikationer: Produkten är inte lämplig för personer med svag styrka i armarna, med mycket dålig balans eller med betydande kognitiva funktionshinder. Produkten är designad och godkänd för utomhusbruk men kan även användas inomhus. Utomhus är rollatorn avsedd att vara ett hjälpmedel för promenader på vägar och stigar. Den är inte lämplig i grov och/eller brant terräng, inte heller för trappor.*

För att lära känna rollatorn och lära sig att använda den på rätt sätt rekommenderas en introduktion av din fackhandlare/hjälpmiddelscentral.

0 De grå nummerade cirkelarna i denna bruksanvisning refererar till nummerade illustrationer inuti omslaget

1 Lär känna din TOPRO-produkt

- | | |
|--|----------------------------|
| A Handtag | I Shoppingväska |
| B Bromshandtag | J Sidoram |
| C Handtagsrör | K Kantskydd |
| D Bromsvajer | L Bromskloss |
| E Sitsstänger / Bärhandtag | M Steghjälp |
| F Låsklämma | N Avtagbara bakhjul |
| G Sits med rem för fällmekanism | O Produktetikett |
| H Låsratt för handtaget | |

2 Säkerhet

När du faller ut/ihop rollatorn, var försiktig så att du inte skadar fingrarna.

Var försiktig så att du inte fastnar med fingrarna i öppna hål eller mellan stationära delar.

Se till att låsratten för höjdjustering av handtagen är ordentligt åtdragen.

Aktivera alltid parkeringsbromsen (A), på båda sidor, vid stopp eller parkering.

Använd inte rollatorn i trappor. Var försiktig när du passerar trottoarkanter och liknande.

Kontrollera bromsarna före varje användning och att rollatorn låser sig i utfällt läge.

Använd inte rollatorn för att transportera tung last eller personer.

Tänk på att vissa delar av rollatorn kan kännas varma eller kalla när de utsätts för extrema temperaturer.

Modifiera inte produkten eftersom detta kan riskera din säkerhet och garantin blir ogiltig.

Innan du sätter dig på sitsen (C), se till att parkeringsbromsarna på båda sidor är aktiverade (A).

För att minska risken för fall ska du inte luta dig eller böja dig i sidled

eller över rollatorns baksida medan du sitter (D). Luta inte rollatorn för mycket i sidled för att undvika risken för fall. Av samma anledning får påsar etc. aldrig hängas på handtagen.

För rätt stöd och säkerhet, gå upprätt och se till att rollatorn hålls så nära kroppen som möjligt (E). Gå mellan bakhjulen (F), inte bakom dem (G).

Tänk på att rollatorn kan rulla snabbare än du när du går i nedförsbacke, vilket kan göra att du riskerar att falla. Aktivera körbromsarna för att justera hastigheten (B).

Var försiktig när du bär fladdriga kjolar eller byxor eftersom de kan fastna i hjulen, vilket kan leda till fall. Använd robusta skor för att undvika skador.

Av säkerhetsskäl är det förbjudet att sitta på rollatorn under resor med kollektivtrafik. Förvara rollatorn på ett säkert sätt och se till att parkeringsbromsarna på båda sidor är aktiverade (A).

Använd inte rollatorn på hala eller isiga ytor.

Håll rollatorn borta från eld och heta föremål.

Klättra inte på rollatorn.

3 Utfällning / Hopfällning

Utfällning: Lossa låsklämman som är placerad på sitsstängerna (A). Tryck ner och ut sitsstängerna. Sidoramarna glider isär. Tryck ner sitsstängerna (B) tills du hör ett klickljud. Rollatorn är nu låst i utfällt läge.

Hopfällning: Dra i remmen på sitsen (C) och tryck ihop sidoramarna. Lås klämman (D) över sitsstängerna.

Bära rollatorn: Rollatorn får inte bäras i sitsremmen eller bromsvajrarna. Fäll ihop rollatorn enligt illustrationen (E). Bär rollatorn i sitsstängerna (F) när rollatorn är hopfäld.

4 Handtag / Minnesfunktion

Höjdjustering: Lossa låsratten (A) (ca 2 varv). Justera handtagsröret till en lämplig höjd och dra det sedan något upp och ner (C) tills du hör ett klickljud. Dra åt låsratten (A) ordentligt. Justera båda handtagen till samma höjd genom att jämföra talskalan på varje sida. *Vi rekommenderar att handtagen är inställda på samma höjd som handlederna när armarna hänger rakt ner längs kroppen.*

Minnesfunktion: Bestäm höjden på handtagen (se nummerskala). Räkna synliga hål på baksidan av handtagsröret. Skruva loss låsratten (A). Dra ut röret (B) ur ramen. Fäststycket (D) följer nu med handtagsröret ut. Flytta fäststycket (D) så att antalet hål ovanför det motsvarar de tidigare räknade hålen. Montera det röda minnesstycket (E) på handtagsröret i det första tillgängliga hålet under fäststycket (D). Tryck ner handtagsröret (B) och fäststycket (D) in i sidoramerna (F). Skruva fast låsratten (A) halvvägs in. Dra i handtaget (G) tills det stannar och dra sedan åt låsratten (A) ordentligt. Från och med nu, när handtagen är i lägst läge, kommer de att stanna i förinställt läge när de dras upp.

5 Bromsar

Se till att bromsarna fungerar före varje färd. Vardera bromshandtag (A) fungerar på vart och ett av bakhjulen. *Rollatorn ska inte köras eller skjutas framåt när parkeringsbromsarna är aktiverade.*

Parkeringsbromsar: Tryck båda bromshandtagen (A) nedåt tills de låser sig. Båda bakhjulen är nu låsta. Dra båda bromshandtagen uppåt för att lossa parkeringsbromsarna.

Körbromsar: Dra båda bromshandtagen (B) uppåt för att sänka hastigheten. *Använd inte kontinuerligt när rollatorn är i rörelse.*

Justering / kontroll: Lossa muttern (C). Dra åt bromsvajern (D) med justerings-skruv (E). Justera bromsklossen (F) så att avståndet till den inre bromstrumman är cirka 1,5 mm och dra sedan åt muttern (C). Snurra på hjulet för att kontrollera att bromsklossen inte vidrör hjulet.

Underhåll: Rengör bromsklossen (F) och bromsfjädern (G) regelbundet. Hjulen och bromsarna kan bytas ut om de är utslitna eller skadade.

6 Avtagbara bakhjul

Borttagning: Frigör bromsarna. Tryck ner den röda knappen på navet (A) och dra av hjulet från axeln (B) medan du trycker ner knappen.

Montering: Frigör bromsarna. Montera hjulet på axeln (B). Dra hjulet så långt som möjligt inåt på axeln för att få hjulet att snäppa på axeln. Du kommer att höra ett "klick" när hjulet är på plats. Hjulet är ordentligt fastsatt när axeln är helt synlig i mitten av navet (C). Dra försiktigt i hjulet för att kontrollera att det är ordentligt fastsatt på axeln. Se till att bromsarna fungerar korrekt när det nya hjulet har monterats på rollatorn. Justera dem om det behövs (*se avsnittet Bromsar*).

7 Sits

Rollatorn har en säker och bekväm nätsits, genom vilken du har utsikt mot marken medan du går. Den kan enkelt torkas av med en trasa om det behövs. Parkeringsbromsarna måste aktiveras innan du använder sitsen. Tryck båda bromshandtagen nedåt tills de låser (A). Båda bakhjulen är nu låsta. Sitt med ryggen mot väskan (B).

8 Kantskydd / Steghjälp

Kantskydd: Kantskydden (A), som är framför bakhjulen, hindrar bakhjulen från att fastna i hörn, dörrkarmar etc.

Steghjälp: För att använda steghjälpen placerar du främre delen av foten på pedalen (B), som befinner sig bredvid bakhjulet, och pressar pedalen nedåt. Detta hjälper till att luta rollatorn över trösklar, kanter etc. Observera: Var försiktig när du passerar trottoarkanter och liknande.

9 Shoppingväska

Väskan tål last upp till 15 kilo och kan tvättas försiktigt vid upp till 60 °C.

Montering: Aktivera parkeringsbromsarna (A). Placera väskans fästen (B) på rollatorns bärhandtag och tryck dem nedåt. När den är korrekt placerad hör du ett klickljud. Se till att bromskabeln fortfarande går obehindrad längs ramen (C).

Borttagning: Aktivera parkeringsbromsarna (A). Placera händerna på främre delen av väskans fästen, på båda sidor. Lyft väskan uppåt samtidigt som du trycker ihop den något. Var försiktig så att du inte klämmer fingrarna.

TOPRO ErgoGrip

TOPRO ErgoGrip erbjuder ergonomiska grepp och stödytor. Handtagens övre framsida ger dig en stadig greppposition när du reser dig upp från en stol eller soffa. Se alltid till att parkeringsbromsarna är aktiverade när du reser dig upp. ErgoGrip ger också extra stöd när du står upp. När du kör rollatorn ska dina händer alltid hållas i det ursprungliga greppläget för att ha bromsarna lätt tillgängliga.

Transport

Rollatorn ska transporteras i hopfäld och låst läge (*se avsnittet Utfällning / Hopfällning*). Se till att låsklämman är fastsatt, så att rollatorn inte kan fällas ut oavsiktligt. Var försiktig när du lastar in rollatorn i ett fordon och var uppmärksam på att säkra den. Rollatorn kan läggas ner genom att lyfta den i ramröret.

Lagring

Rollatorn ska förvaras i stående. Om den förvaras utomhus bör den täckas över för att skyddas. Lämna inte rollatorn utan uppsikt. Lagg inte tunga föremål ovanpå rollatorn under förvaring.

Rengöring

Rollatorn kan rengöras med en fuktig trasa. Vid ansamling av lera och smuts kan en trasa med ett mildt tvättmedel användas följt av sköljning med ljummet vatten. Undvik att spola direkt mot kullager (i hjul och framgafflar). Använd inte slipmedel eller ångtvätt. Torka rollatorn med en mjuk trasa.

Desinfektion

Desinfektion får endast utföras av behörig personal. Kontakta din lokala återförsäljare eller din hjälpmedelscentral. Under desinfektion måste tillräcklig skyddsutrustning bäras och instruktionerna från

desinfektionsmedelstillverkaren måste följas. Rollatorns yta ska rengöras med en mjuk trasa eller svamp och ett godkänt kemiskt desinfektionsmedel som innehåller 70–80 % etanol. Vi avråder från desinfektionsmedel som innehåller klor eller fenol. *Tillverkaren kan inte hållas ansvarig för fel eller skador som uppstått med skadligt desinfektionsmedel/-metoder eller desinfektion som utförts av obehörig personal.*

Inspektion / Underhåll / Återanvändning

Det rekommenderas att inspektion och underhåll utförs regelbundet (frekvensen bestäms av hur och hur ofta rollatorn används). Kontrollera följande: Ram, skruvar, handtag, handtagsrör, bromsar, bromsdelar, hjul, sits och tillbehör. Detta gäller även när rollatorn ska förberedas för återanvändning. Se detaljerade instruktioner i denna bruksanvisning om underhåll av bromsar och rengöring/desinfektion. Rekommenderat underhåll är inte ett krav och inget förebyggande underhåll krävs förutsatt att rollatorn används som avsett enligt denna bruksanvisning.

Material / Återvinning

Rollatorn är tillverkad av plastbelagda aluminiumrör, plastkopplingar och material av plast och polyester. Det finns kullager i alla hjul och gafflar. De flesta rollatordelar kan återvinnas. Kassera rollatorn och dess förpackning enligt gällande regler i ditt land. För information, vänligen kontakta dina myndigheter.

Garanti

TOPRO Olympos ATR är garanterat fri från fel och defekter i 7 år. Skador som orsakas av felaktig användning eller delar som utsätts för naturligt slitage (t.ex. bromskloss, bromsvajer, hjul, väska, sits och handtag) är undantagna från 7 års garanti. För reparationer under garantiperioden, vänligen kontakta din hjälpmedelscentral eller återförsäljare. Garantin är ogiltig om otillåtna reservdelar eller tillbehör har använts eller används på produkten. Produktens förväntade livslängd uppskattas till 10 år om den används på rätt sätt enligt denna bruksanvisning och dess säkerhets- och underhållsinstruktioner.

10 Produktetikett

- 1 - Tillverkare
- 2 - Se bruksanvisningen (blå ikon)
- 3 - Modellnamn
- 4 - Modellnummer
- 5 - Tillverkningsdatum
- 6 - Serienummer
- 7 - Artikelnummer för global handel (GTIN-kod)
- 8 - GS1 DataMatrix
- 9 - Maximal användarvikt
- 10 - Maximal längd på rollatorn
- 11 - Maximal bredd/höjd på rollatorn
- 12 - Avsedd för utomhusbruk
- 13 - Medicinteknisk produkt
- 14 - CE-märkning (Denna produkt uppfyller förordningen om medicintekniska produkter (EU) 2017/745)

Tillbehör

	TOPRO Art. Nr.
Ryggstöd med stoppning, 67 cm	815270
Ryggstöd med stoppning, 75 cm	815272
Bricka (endast för storlek M)	815212
Bricka (endast för storlek M Slim)	815363
Antihalkmatta för bricka (endast för storlek M)	814059
Antihalkmatta för bricka (endast för storlek M Slim)	815832
Käpphållare, grå	815358
Flaskhållare, grå	815843
LED-lampa med clip-on och USB-kontakt	815260
Paraply med fäste, svart	814068
Enhandsbroms	814026
Styrhandtag för synskadade	814014
Bakre väska med dragkedja	814046
Namnbricka	814024
Släpbroms (Rullmotståndssystem), par	814038
Transportväska	814042
Korg för syrgasflaska (endast komprimerad, inte flytande)	814009
Terränghjul, 4 stk.	815304
Dubbdäck, 2 bakhjul	815332

Tillbehör monterade på rollatorn kan påverka stabiliteten, vi rekommenderar därför att du använder dem försiktigt. Tillbehören kan beställas separat så att en TOPRO Olympos ATR kan anpassas efter individuella behov. Kontakta din hjälpmedelscentral, återförsäljare eller TOPRO för en uppdaterad översikt över tillbehören eller besök vår hemsida topromobility.com.

Tillykke med dit valg af den nye TOPRO-rollator

Hver TOPRO-rollator er udviklet, designet og fremstillet i Norge. Produktet overholder EU's forordning (EU) 2017/745 for medicinsk udstyrs sikkerhed og ydeevne. Det er desuden testet og godkendt iht. EN ISO 11199-2:2021. Når du har modtaget rollatoren, beder vi dig tjekke, om alt er i orden. Har du spørgsmål, beder vi dig kontakte din mobilitetsbutik eller forhandler. Har du problemer med at læse denne brugervejledning, kan du se den online på topromobility.com.

Brugen af produktet

TOPRO Olympos ATR er beregnet til at yde støtte til brugere med nedsat balanceevne og/eller gangevne. Den er beregnet til at blive skubbet, ikke trukket. Det integrerede sæde giver brugeren mulighed for at hvile, hvis det er nødvendigt. Rollatoren er til voksne brugere. Der er begrænsninger mht. brugerens højde og vægt. *Kontraindikationer: Produktet er ikke egnet til personer med dårlig styrke i armene, med meget dårlig balance eller med betydelige kognitive handicap. Produktet er designet og godkendt til udendørs brug, men kan også bruges indendørs. Udendørs rollator er beregnet til at være en hjælp til at gå på veje og stier. Det er ikke egnet i ujævnt og / eller stejlt terræn eller til brug på trapper.*

For at lære rollatoren bedre at kende og bruge den korrekt anbefaler vi undervisning og vejledning af en fagperson.

0 Tallene i de grå cirkler refererer til den nummererede grafik og til illustrationerne, som du finder inde i omslaget

1 Lær dit TOPRO-produkt at kende

- | | |
|--|-----------------------------|
| A Håndtag | I Indkøbstaske |
| B Bremseseb | J Sideramme |
| C Rør til håndtag | K Kantbeskytter |
| D Bremsekabel | L Bremseklo |
| E Håndtagsrør / Bærehåndtag | M Vippfunktion |
| F Låseclips | N Aftagelige baghjul |
| G Sæde med rem til foldemekanisme | O Produktmærke |
| H Låseskrue til højdejustering af håndtag | |

2 Sikkerhed

Pas på dine fingre, når du klapper rollatoren sammen, eller folder den ud.

Sæt ikke at sætte fingrene i åbne huller eller mellem faste dele.

Sørg for, at låseskruen til højdejustering for håndtagene er strammet godt til.

Når du holder stille eller parkeret skal du altid aktivere parkeringsbremsene på begge sider (A).

Brug ikke rollatoren på trapper. Vær forsigtig, når du passerer kantsten og lignende.

Kontroller bremsene før brug hver gang, og at rollatoren er låst i udfoldet position.

Brug ikke rollatoren til at transportere meget tunge ting eller personer.

Vær opmærksom på, at nogle dele af rollatoren kan føles varme eller kolde, når de udsættes for ekstreme temperaturer.

Du må ikke ændre produktet, det kan bringe din sikkerhed i fare, og garantien bliver ugyldig.

Før du sidder på sædet (C), skal du sørge for at parkeringsbremsene på begge sider er aktiveret (A).

For at undgå risikoen for at falde må du ikke læne dig eller bøje dig sidelæns eller over mod bagsiden af rollatoren,

mens du sidder på den (D). Rollatoren må ikke vippe for meget sidelæns. Af samme grund må poser og lign. aldrig hænges på håndtagene.

For at give den rette støtte og sikkerhed skal du gå lige og sørge for, at rollatoren holdes så tæt på kroppen som muligt (E). Gå mellem baghjulene (F), ikke bag dem (G).

Vær opmærksom på, at rollatoren kører hurtigere end dig, når du går ned ad bakke, hvilket kan føre til fald. Brug kørebremsen for at justere hastigheden (B).

Vær forsigtig, hvis du har flagrende bukser eller nederdele på, da de kan blive fanget i hjulene, hvilket kan føre til et fald. Brug robust fodtøj for at undgå skader.

Af sikkerhedsmæssige årsager er det forbudt at sidde på rollatoren under offentlig transport. Opbevar rollatoren sikkert, og sørg for, at parkeringsbremsene på begge sider er aktiveret (A).

Brug ikke rollatoren på glatte eller iskolde overflader.

Hold rollatoren væk fra ild og varme genstande.

Kravl ikke op på rollatoren.

3 At folde ud og sammen

At folde ud: Åbne låseclipsen, der er placeret ved håndtagsrørene (A). Tryk håndtagsrørene ned og ud. Siderammerne glider fra hinanden. Tryk håndtagsrørene ned (B) til du hører et klik. Rollatoren er nu låst i brugsposition.

At folde sammen: Træk i stroppe på sædet (C) og tryk siderammerne sammen. Lås clipsen (D) over håndtagsrøret.

Transport af rollatoren: Rollatoren må ikke bæres i sædestroppen eller bremsekablerne. Fold rollatoren sammen som vist på illustrationen (E). Bær rollatoren ved håndtagsrørene (F), når den er sammenfoldet.

4 Håndtag / Memoryfunktion

Højdejustering: Løsn låseskruen (A) (ca. 2 omgange) af. Juster håndtagsrøret til en passende højde, og bevæg det derefter lidt op og ned (C), indtil du hører et klik. Lås låseskruen (A). Juster begge håndtag til samme højde ved at sammenligne talskalaen på hver side. *Det anbefales, at håndtagene er indstillet til samme højde som dine håndled, når dine arme hænger langs kroppen.*

Memoryfunktion: Find den optimale højde for håndtagene (se talskala). Tæl synlige huller bag på stængerne til håndtagene. Skru låseskruen af (A). Træk røret (B) ud af rammen. Fastgørelsesstykket (D) følger nu håndtagsrøret. Flyt fastgørelsesstykket (D), så antallet af huller over det svarer til de tidligere optalte huller. Sæt den røde hukommelseschip (E) på håndtagsrøret i det første tilgængelige hul under fastgørelsesstykket (D). Skub håndtagsrøret (B) og fastgørelsesstykket ned og ind i siderammen (F). Skru låseskruen (A) halvvejs ind. Træk håndtaget (G) op, indtil det stopper, og stram derefter låseskruen (A) korrekt. Fra nu af, når håndtagene er i den laveste position, stopper de i den forudindstillede position, når de trækkes op.

5 Bremses

Sørg før hver tur for, at bremsene virker. Bremsegrebene (A) virker på deres respektive baghjul. Du må ikke køre eller skubbe rollatoren, mens parkeringsbremsene er *aktiveret!*

Parkeringsbremses: Skub begge bremsegreb (A) ned, indtil de låses. Begge baghjul er nu låst. Skub begge bremsegreb opad for at frigøre parkeringsbremsene.

Kørebremser: Træk begge bremsegreb (B) opad for at reducere hastigheden. *Brug ikke kontinuerligt, mens rollatoren er i bevægelse.*

Justering/kontrol: Løsn møtrikken (C). Bremsekablet (D) strammes med justeringsskruen (E). Juster bremseblokken (F), så afstanden til den indvendige tromlebremse er ca. 1,5 mm, og stram derefter møtrikken (C). Drej hjulet rundt for at kontrollere, at bremseblokken ikke rører hjulet.

Vedligeholdelse: Rengør bremsekloksen (F) og bremsefjederen (G) ofte. Hjul og bremses kan udskiftes, hvis de er slidte eller beskadigede.

6 Aftagelige baghjul

Fjernelse: Løsn bremsehåndtaget. Tryk ned for den røde knap på navet (A), og skub hjulet af akslen (B), mens du stadig trykker på knappen ned.

Fastgørelse: Løsn bremsehåndtaget. Skub hjulet til akslen (B). Skub hjulet så langt som muligt indad på akslen for at få hjulet til at knække på akslen. Du vil høre et «klik», når hjulet er på plads. Hjulet er forsvarligt fastgjort, når akslen er helt synlig midt i navet (C). Træk forsigtigt i hjulet for at kontrollere, at det er forsvarligt fastgjort til akslen. Når det nye hjul er påført rollatoren, skal du sørge for, at bremsene fungerer korrekt. Juster dem om nødvendigt (se afsnit *Bremses*).

7 Sæde

Rollatoren har et sikkert og bekvemt netsæde, hvorigennem du har udsigt til jorden, mens du går. Det kan nemt tørres med en klud, hvis det er nødvendigt. Parkeringsbremsene skal være aktiveret, før sædet tages i brug. Skub begge bremsegreb nedad, indtil de låser (A). Begge baghjul er nu låst. Sid med ryggen mod tasken (B).

8 Kantbeskytter/Vippefunktion

Kantbeskytter: Kantbeskytterne (A), som er foran baghjulene, forhindrer baghjulene i at fange hjørner, dørkarme osv.

Vippefunktion: Hvis du vil bruge vippefunktionen, skal du bruge fodens forside og trykke ned på vippepedalen (B), som er ved siden af baghjulet. Dette hjælper dig med at vippe rollatoren over dørtrin og kanter mv. Bemærk: Vær forsigtig, når du passerer kantsten og lignende.

9 Tasken

Tasken rummer op til 15 kilo og kan vaskes op til 60 °C.

Montering: Aktiver parkeringsbremsene (A). Anbring beslagene på posen (B) på rollatorens bærehåndtag og skub dem nedad. Når du er placeret korrekt, vil du høre en klikkende lyd. Sørg for, at bremsekablet stadig kører uhindret langs rammen (C).

Fjernelse: Aktiver parkeringsbremsene. Placer hænderne mod forsiden af tasken, på begge sider. Løft tasken op, mens du trykker lidt sammen. Vær opmærksom på, så du ikke skader dine fingre.

TOPRO ErgoGrip

TOPRO ErgoGrip tilbyder ergonomiske grebs- og støtteflader. Den øverste front af håndtagene giver stabil greb position, når du kommer op fra en stol eller sofa. Sørg altid for, at parkeringsbremsene er aktiveret, når du rejser dig fra siddende stilling. ErgoGrip giver også ekstra støtte, mens du står. Brug altid den traditionelle grebsposition for nem adgang til kørebremserne, mens du går.

Transport

Rollatoren bør transporteres i sammenfoldet, låst position (se afsnit *At folde ud og sammen*). Sørg for, at låseklemmen er fastgjort, så rollatoren ikke kan folde sig utilsigtet ud. Vær forsigtig, når du læsser rollatoren ind i et køretøj, og vær opmærksom på at fastgøre den. Rollatoren kan lægges ned ved at løfte den i rammerøret.

Opbevaring

Rollatoren skal opbevares i opretstående stilling. Hvis den opbevares udendørs, skal den være under et beskyttende cover. Lad ikke rollatoren være uden opsyn. Læg ikke tunge genstande oven på rollatoren under opbevaring.

Rengøring

Rollatoren kan rengøres med en fugtig klud. I tilfælde af ophobning af mudder og snavs kan en klud med et mildt vaske-middel anvendes efterfulgt af skylling med lunkent vand. Undgå at skylle direkte mod kuglelejer (i hjul og forgaffler). Brug ikke slibemidler eller dampvask. Tør rollatoren med en blød klud.

Desinfektion

Desinfektion må kun udføres af autoriseret personale. Kontakt din lokale forhandler eller dit mobilitetshjælpemiddelcenter. Under desinfektion skal der bæres

tilstrækkeligt beskyttelsesudstyr, og desinfektionsmiddelproducentens anvisninger skal følges. Rollatorens overflade skal rengøres med en blød klud eller svamp og et godkendt kemisk desinfektionsmiddel indeholdende 70–80 % ethanol. Vi fraråder desinfektionsmiddel, der indeholder klor eller phenol. *Producenten kan ikke holdes ansvarlig for skader eller skader, der opstår ved hjælp af skadeligt desinfektionsmiddel/-metoder eller desinfektion udført af uautoriseret personale.*

Eftersyn / Vedligeholdelse / Genanvendelse

Vi anbefaler at udføre eftersyn og vedligeholdelse udføres regelmæssigt (hyppigheden bestemmes af, hvordan og hvor ofte rollatoren bruges). Kontroller følgende: Ramme, skruer, håndtag, håndtagenes rør, bremses, bremsedele, hjul, sæde og tilbehør. Det gælder også, når rollatoren skal forberedes til andre brugere. Se detaljerede instruktioner i denne brugervejledning om service på bremses samt rengøring/desinfektion. Den anbefalede vedligeholdelse er ikke et krav, og der kræves ingen forebyggende vedligeholdelse, hvis rollatoren bruges efter hensigten i henhold til denne vejledning.

Materiale / Genbrug

Rollatoren er produceret af plastbelagte aluminiumsrør, plastkoblinger og materiale lavet af plast og polyester. Der er kuglelejer i alle hjul og gafler. De fleste rollatordele kan genbruges. Bortskaf rollatoren og dens emballage, når det bliver nødvendigt, i henhold til de gældende regler i dit land. Kontakt dine offentlige myndigheder for uddybende oplysninger.

Garanti

TOPRO Olympos ATR er garanteret fri for fejl og mangler i 7 år. Skader forårsaget af forkert brug eller dele, der udsættes for naturlig slitage (f.eks. bremsklodser og -kabler, hjul, taske, sæde og håndtag), er undtaget fra 7 års garanti. For reparation i garantiperioden skal du kontakte din lokale mobilitetsbutik eller forhandler. Garantien bortfalder, hvis der er anvendt uautoriserede reservedele eller tilbehør til produktet. Produktets forventede levetid anslås til at være 10 år, hvis det anvendes korrekt i henhold til denne brugervejledning samt dens sikkerheds- og vedligeholdelsesinstruktioner.

10 Produktmærke

- 1 - Fabrikant
- 2 - Se brugsanvisningen (blåt ikon)
- 3 - Modelnavn
- 4 - Modelnummer
- 5 - Fremstillingsdato
- 6 - Serienummer
- 7 - Varenummer til global handel
- 8 - GS1 DataMatrix
- 9 - Maksimal brugervægt
- 10 - Maksimal længde på rollator
- 11 - Maksimal bredde/højde på rollator
- 12 - Beregnet til udendørs brug
- 13 - Medicinsk udstyr
- 14 - CE-mærkning (Dette produkt er i overensstemmelse med forordning (EU) 2017/745 om medicinsk udstyr)

Tilbehør

	TOPRO Item No.
Rygstøtte med polstring, 67 cm	815270
Rygstøtte med polstring, 75 cm	815272
Bakke (kun for størrelse M)	815212
Bakke (kun for størrelse M Slim)	815363
Skridsikker måtte til bakke (kun for størrelse M)	814059
Skridsikker måtte til bakke (kun for størrelse M Slim)	815832
Stokkeholder, grå	815358
Flaskeholder, grå	815843
LED-lampe med clip-on og USB-stik	815260
Paraply med fastgørelse, sort	814068
Enhåndsbremse	814026
Styrehåndtag til synshandicappede	814014
Bagtaske med lynlås	814046
Navneskilt	814024
Slæbebremse (Rullemodstandssystem), par	814038
Transporttaske	814042
Kurv til iltflaske (kun komprimeret, ikke flydende)	814009
Terrængående hjul, sæt med fire	815304
Pigdæk, 2 baghjul	815332

Tilbehør monteret på rollatoren kan påvirke stabiliteten. Vi anbefaler derfor at bruge dem med omhu. Tilbehør kan bestilles separat, så rollatoren kan tilpasses individuelle behov. Kontakt din mobilitetsbutik, forhandler eller TOPRO for at få et opdateret overblik over tilgængeligt tilbehør, eller besøg vores hjemmeside topromobility.com.

Félicitations pour votre choix d'un nouveau déambulateur TOPRO

Chaque déambulateur TOPRO est développé, conçu et fabriqué en Norvège. Le produit est déclaré conforme au règlement (UE) 2017/745 sur les dispositifs médicaux. Il est testé et approuvé selon la norme EN ISO 11199-2 : 2021. À la réception de la marchandise, veuillez vérifier votre produit. Si vous avez des questions, veuillez contacter immédiatement votre magasin de mobilité ou votre revendeur. Si vous rencontrez des difficultés pour lire ce manuel d'utilisation, une version électronique est disponible sur topromobility.com.

Utilisation prévue

Le TOPRO Olympos ATR doit apporter un soutien aux utilisateurs ayant un équilibre réduit et / ou une capacité de marche réduite. Il est conçu pour être poussé, pas tiré. Le siège intégré offre à l'utilisateur la possibilité de se reposer si nécessaire. L'utilisateur visé est un adulte. Des restrictions de taille et de poids s'appliquent. *Contre-indications : Le produit ne convient pas aux personnes ayant une faible force dans les bras, avec un très mauvais équilibre, ou avec des handicaps cognitifs considérables. Le produit est conçu et approuvé pour une utilisation en extérieur, mais peut également être utilisé à l'intérieur. À l'extérieur, le déambulateur est destiné à être une aide pour marcher sur les routes et les sentiers. Il ne convient pas aux terrains accidentés et / ou escarpés, ni aux escaliers.*

Pour apprendre à connaître le déambulateur et apprendre à l'utiliser correctement, une formation par un professionnel est recommandée.

0 Les cercles numérotés gris de ce manuel d'utilisation font référence au graphique d'information numéroté et aux illustrations à l'intérieur de la couverture.

1 Apprenez à connaître votre produit TOPRO

- | | |
|--|--|
| A Poignée | H Molette de verrouillage pour la poignée |
| B Levier de frein | I Sac à provisions |
| C Tube de poignée | J Cadre latéral |
| D Câble de frein | K Protecteur de bords |
| E Barres de siège / Poignée de transport | L Bloc de frein |
| F Bride de sécurité | M Aide au basculement |
| G Siège avec ruban pour mécanisme de pliage | N Roues arrière interchangeables |
| | O Étiquette du produit |

2 Sécurité

Lors du pliage ou dépliage prenez garde à vos doigts.

Attention à ne pas mettre vos doigts dans des trous ouverts ou entre des pièces fixes.

Assurez-vous que la molette de verrouillage pour le réglage en hauteur des poignées est bien verrouillée.

À l'arrêt ou en stationnement, assurez-vous que les freins de stationnement des deux côtés sont en position verrouillée (A).

N'utilisez pas le déambulateur dans les escaliers. Soyez prudent lorsque vous passez des trottoirs etc.

Vérifiez les freins avant chaque utilisation, et que le déambulateur se verrouille bien en position dépliée.

N'utilisez pas le déambulateur pour transporter des charges lourdes ou des personnes.

Sachez que certaines parties du déambulateur peuvent être chaudes ou froides lorsqu'elles sont exposées à des températures extrêmes.

Ne modifiez pas le produit car cela pourrait mettre votre sécurité en danger et la garantie sera annulée.

Avant de vous asseoir sur le siège (C), assurez-vous que les freins de stationnement des deux côtés sont en position verrouillée (A).

Pour éviter le risque de chute, ne vous penchez pas latéralement ou vers

l'arrière du déambulateur en position assise (D). N'inclinez pas trop le déambulateur latéralement, pour éviter le risque de chute. Pour la même raison, les sacs et autres objets ne doivent jamais être accrochés aux poignées.

Pour apporter un bon soutien en toute sécurité, marchez droit et assurez-vous que le déambulateur est maintenu aussi près de votre corps que possible (E). Marchez entre les roues arrière (F), pas derrière elles (G).

Sachez que le déambulateur peut rouler plus vite que vous ne marchez en descente, ce qui peut vous exposer à un risque de chute. Activez les freins de marche pour régler la vitesse (B).

Soyez prudent lorsque vous portez des jupes ou des pantalons larges, car ils pourraient se prendre dans les roues, ce qui pourrait entraîner une chute. Portez des chaussures robustes pour éviter les blessures.

Pour des raisons de sécurité, il est interdit de s'asseoir sur le déambulateur dans les transports en commun. Rangez votre déambulateur en toute sécurité et assurez-vous que les freins de stationnement des deux côtés sont activés (A).

N'utilisez pas le déambulateur sur des surfaces glissantes ou glacées.

Gardez le déambulateur à l'écart du feu et des objets chauds.

Ne montez pas sur le déambulateur.

3 Dépliage / Pliage

Dépliage : Ouvrez la bride de sécurité positionnée au niveau des barres de siège (A). Appuyez sur les barres de siège vers le bas et vers l'extérieur. Les cadres latéraux glisseront séparément. Appuyez sur les barres de siège (B). Vous entendrez un click. Le déambulateur est maintenant verrouillé dans sa position ouverte.

Pliage : Tirez le ruban sur le siège (C) et appuyez sur les cadres latéraux. Verrouillez la bride (D) sur les barres de siège.

Transport du déambulateur : Le déambulateur ne doit pas être transporté par le ruban du siège ou par les câbles de frein. Pliez le déambulateur comme indiqué sur l'illustration (E). Portez le déambulateur par les barres de siège (F) lorsqu'il est plié.

4 Poignées / Fonction mémoire

Réglage de la hauteur : Dévissez la molette de verrouillage (A) (env. 2 tours). Ajustez les tubes de poignée à une hauteur appropriée, puis tirez-les légèrement vers le haut et vers le bas (C) jusqu'à ce que vous entendiez un click. Serrez à nouveau la molette de verrouillage (A). Ajustez les deux poignées à la même hauteur en comparant l'échelle numérique de chaque côté. *Il est recommandé que les poignées soient réglées à la même hauteur que vos poignets lorsque vos bras sont suspendus à côté de votre corps.*

Fonction mémoire : Décidez de la hauteur des poignées (voir échelle numérique). Comptez les trous visibles à l'arrière des tubes de poignée. Dévissez la molette de verrouillage (A). Retirez le tube (B) du cadre. La pièce de fixation (D) suivra le tube de poignée. Déplacez la pièce de fixation (D) de sorte que le nombre de trous au-dessus d'elle soit égal aux trous précédemment comptés. Placez le memory clip rouge (E) sur le tube de poignée dans le premier trou disponible sous la pièce de fixation (D). Poussez le tube de poignée (B) et la pièce de fixation (D) vers le bas dans le cadre latéral (F). Vissez la molette de verrouillage (A) à mi-chemin. Tirez la poignée (G) vers le haut jusqu'à ce qu'elle s'arrête, puis serrez correctement la molette de verrouillage (A). Désormais, lorsque les poignées sont dans la position la plus basse, elles s'arrêtent dans la position pré-définie lorsqu'elles sont tirées vers le haut.

5 Freins

Assurez-vous que les freins fonctionnent avant chaque utilisation. Chaque levier de frein (A) actionne la roue arrière du même côté. Ne conduisez pas et ne poussez pas le déambulateur pendant que les freins de stationnement sont activés !

Freins de stationnement : Poussez les deux leviers de frein (A) vers le bas jusqu'à ce qu'elles se verrouillent. Les deux roues arrière sont maintenant bloquées. Tirez les deux leviers de frein vers le haut pour desserrer les freins de stationnement.

Freins de marche : Tirez les deux leviers de frein (B) vers le haut pour réduire la vitesse. *Ne pas utiliser en continu pendant que le déambulateur est en mouvement.*

Réglage / vérification : Desserrer l'écrou (C). Serrez le câble de frein (D) avec la vis de réglage (E). Réglez le bloc de frein (F) de sorte que la distance par rapport au frein à tambour intérieur soit d'environ 1,5 mm, puis serrez l'écrou (C). Tournez la roue pour vérifier que le bloc de frein ne touche pas la roue.

Entretien : Nettoyez fréquemment le bloc de frein (F) et le ressort de frein (G). Les roues et les freins peuvent être remplacés s'ils sont usés ou endommagés.

6 Roues arrière interchangeables

Dépose : Desserrez le levier de frein. Appuyez sur le bouton rouge du moyeu (A) et faites glisser la roue de l'essieu (B) tout en appuyant sur le bouton vers le bas.

Fixation : Desserrez le levier de frein. Faites glisser la roue sur l'essieu (B) tout en maintenant le bouton rouge (A) enfoncé. Poussez la roue aussi loin que possible vers l'intérieur de l'essieu pour que la roue s'enclenche sur l'essieu. Vous entendrez un « clic » lorsque la roue est en place. La roue est solidement fixée lorsque l'essieu est complètement visible au milieu du moyeu (C). Tirez doucement sur la roue pour vérifier qu'elle est solidement fixée à l'essieu. Une fois la nouvelle roue appliquée au déambulateur, assurez-vous que les freins fonctionnent correctement. Réajustez-les si nécessaire (*voir la section Freins*).

7 Siège

Le déambulateur dispose d'un siège en filet sûr et pratique, à travers lequel vous avez une vue sur le sol tout en marchant. Il peut facilement être essuyé avec un chiffon si nécessaire. Les freins de stationnement doivent être verrouillés avant d'utiliser le siège. Poussez les deux poignées de frein vers le bas jusqu'à ce qu'elles se verrouillent (A). Les deux roues arrière sont maintenant bloquées. Asseyez-vous le dos vers le sac à provisions (B).

8 Protecteur de bord / Aide au basculement

Protecteur de bord : Les protecteurs de bord (A), qui sont à l'avant des roues arrière empêchent les roues arrière de s'accrocher dans les coins, les cadres de porte, etc.

Aide au basculement : Pour utiliser la fonction d'aide au basculement, utilisez l'avant du pied et appuyez sur la pédale (B), qui se trouve à côté de la roue arrière. Cela permet d'incliner le déambulateur pour franchir les seuils, les bords, etc. Remarque : soyez prudent lorsque vous passez des trottoirs etc.

9 Sac à provisions

Le sac peut contenir jusqu'à 15 kilos et peut être lavé délicatement jusqu'à 60 °C.

Montage : Activez les freins de stationnement (A). Placez les supports du sac (B) sur les poignées de transport du déambulateur et poussez-les vers le bas. Lorsque le sac est positionné correctement, vous entendrez un click de chaque côté. Assurez-vous que le câble de frein fonctionne toujours sans retenue le long du cadre (C).

Retrait : Activez les freins de stationnement. Placez vos mains vers l'avant du sac, des deux côtés. Soulevez le sac tout en le pressant légèrement ensemble. Soyez conscient afin de ne pas vous blesser aux doigts.

TOPRO ErgoGrip

TOPRO ErgoGrip offre une prise en main ergonomique et des surfaces de soutien. L'avant supérieur des poignées offre une position de préhension stable lorsque vous vous levez d'une chaise ou d'un canapé. Assurez-vous toujours que les freins de stationnement sont activés lorsque vous vous levez de la position assise. L'ErgoGrip offre également un soutien supplémentaire en position debout. Utilisez toujours la position de préhension traditionnelle pour un accès facile aux freins de conduite pendant la marche.

Transport

Le déambulateur doit être transporté en position pliée et verrouillée (voir *paragraphe 3 Dépliage / Pliage*). Assurez-vous que la bride de sécurité est fermée afin que le déambulateur ne puisse pas se déplier involontairement. Soyez prudent lorsque vous chargez le déambulateur dans un véhicule, en faisant attention à le fixer. Le déambulateur peut être couché sur le flanc en le tenant par le cadre.

Stockage

Le déambulateur doit être rangé en position verticale. S'il est stocké à l'extérieur, il doit être mis sous une protection. Ne laissez pas votre déambulateur sans surveillance. Ne mettez pas d'objets lourds sur le déambulateur pendant le stockage.

Nettoyage

Le déambulateur peut être nettoyé à l'aide d'un chiffon humide. En cas d'accumulation de boue et de crasse, un chiffon avec un détergent de lavage doux peut être utilisé suivi d'un rinçage à l'eau tiède. Évitez de rincer directement contre les roulements à billes (dans les roues et les fourches avant). N'utilisez pas d'abrasifs ou de lavage à la vapeur. Séchez le déambulateur à l'aide d'un chiffon doux.

Désinfection

La désinfection ne doit être effectuée que par du personnel autorisé. Veuillez communiquer avec votre magasin de mobilité ou votre revendeur. Pendant la désinfection, un équipement de protection suffisant doit être porté et les instructions du fabricant du désinfectant doivent être suivies. La surface du déambulateur doit être nettoyée à l'aide d'un chiffon doux ou d'une éponge et d'un désinfectant chimique approuvé contenant de l'éthanol à 70 à 80 %. Nous déconseillons les désinfectants contenant du chlore ou du phénol. *Le fabricant ne peut être tenu responsable des dommages ou blessures survenus à l'aide d'un désinfectant/mesures nocif ou d'une désinfection effectuée par du personnel non autorisé.*

Inspection / Entretien / Réutilisation

Il est recommandé d'effectuer régulièrement l'inspection et l'entretien (la fréquence est déterminée par la façon dont le déambulateur est utilisé et à quelle fréquence). Vérifiez les éléments suivants : cadre, vis, poignées, tubes de poignée, freins, pièces de frein, roues, siège et accessoires. Cela s'applique également lorsque le déambulateur doit être préparé pour être réutilisé. Veuillez consulter les instructions détaillées dans ce manuel d'utilisation sur l'entretien des freins et le nettoyage/désinfection. L'entretien recommandé n'est pas une exigence et aucun entretien préventif n'est requis à condition que le déambulateur soit utilisé conformément au présent manuel d'utilisation.

Matériaux / Recyclage

Le déambulateur est composé de tubes en aluminium revêtus de plastique, de raccords en plastique et de matériaux en plastique et en polyester. Des roulements à billes sont présents dans toutes les roues et fourches. La plupart des pièces de déambulateur peuvent être recyclées. Jetez le déambulateur et son emballage conformément à la réglementation applicable dans votre pays. Pour plus d'informations, veuillez contacter vos autorités publiques.

Garantie

TOPRO Olympos ATR est garanti exempt de défauts et de casse pendant 7 ans. Les dommages causés par une mauvaise utilisation ou des pièces exposées à l'usure naturelle (par exemple, bloc de frein, câble de frein, roue, panier, siège et poignée) sont exemptés de la garantie de 7 ans. Pour les réparations pendant la période de garantie, veuillez contacter votre magasin de mobilité local ou votre revendeur. La garantie est nulle si des pièces de rechange ou des accessoires non autorisés ont été ou sont utilisés sur le produit. La durée de vie prévue du produit est estimée à 10 ans s'il est utilisé correctement conformément à ce manuel d'utilisation et à ses instructions de sécurité et d'entretien.

10 Étiquette du produit

- 1 - Fabricant
- 2 - Consultez le manuel d'utilisation (symbole bleu)
- 3 - Nom du modèle
- 4 - Numéro de modèle
- 5 - Date de fabrication
- 6 - Numéro de série
- 7 - Numéro d'article du commerce international
- 8 - Code GS1
- 9 - Poids maximal de l'utilisateur
- 10 - Longueur maximale du déambulateur
- 11 - Largeur maximale / hauteur du déambulateur
- 12 - Destiné à une utilisation à l'extérieur
- 13 - Dispositif médical
- 14 - Marquage CE (Ce produit est conforme au règlement (UE) 2017/745 sur les dispositifs médicaux)

Accessories

	TOPRO Item No.
Ceinture dorsale avec rembourrage, 67 cm	815270
Ceinture dorsale avec rembourrage, 75 cm	815272
Tablette coulissante (uniquement pour la taille M)	815212
Tablette coulissante (uniquement pour la taille M Slim)	815363
Tapis antidérapant pour tablette (uniquement pour la taille M)	814059
Tapis antidérapant pour tablette (uniquement pour la taille M Slim)	815832
Porte-canne, gris	815358
Porte-boisson, gris	815843
Lampe LED avec clip et prise USB	815260
Parapluie avec fixation, noir	814068
Frein simultané à une main	814026
Poignée pour accompagnateur	814014
Sacoche supplémentaire	814046
Plaque d'identification	814024
Système de résistance au roulement, paire	814038
Sac de transport	814042
Panier pour bouteille d'oxygène (uniquement comprimé, pas liquide)	814009
Roues Offroad, jeu de 4 roues	815304
Roues Offroad avec picots, paire de roues arrière	815332

Les accessoires montés sur le déambulateur peuvent influencer la stabilité, nous vous conseillons donc de les utiliser avec précaution. Les accessoires peuvent être commandés séparément pour permettre au TOPRO Olympos ATR d'être personnalisé en fonction des besoins individuels. Contactez votre revendeur spécialisé / votre magasin de fournitures médicales ou TOPRO pour un aperçu actualisé des accessoires disponibles, ou visitez notre page d'accueil topromobility.com.

Congratulazioni per aver acquistato un nuovo deambulatore TOPRO

Ogni deambulatore TOPRO è sviluppato, progettato e realizzato in Norvegia. Il prodotto è dichiarato conforme al Regolamento sui Dispositivi Medici (UE) 2017/745. È testato e approvato secondo la norma ISO 11199-2:2021. Al ricevimento della merce, si prega di controllare il prodotto. In caso di domande, contattare immediatamente l'ortopedia, il negozio o il rivenditore di questo ausilio. In caso di problemi nella lettura di questo manuale utente, è disponibile una versione digitale su topromobility.com.

Destinazione d'uso

TOPRO Olympos ATR fornisce supporto agli utenti con equilibrio ridotto e/o ridotta capacità di deambulazione. È progettato per essere spinto, non tirato. Il sedile integrato offre all'utente l'opportunità di riposare, se necessario. Il suo utilizzatore è un adulto. Ci sono indicazioni e restrizioni di altezza e peso. *Controindicazioni: il prodotto non è adatto a persone con scarsa forza nelle braccia, con un equilibrio carente o con notevoli disabilità cognitive. Il prodotto è progettato e approvato per uso esterno ma può essere utilizzato anche all'interno. All'esterno il deambulatore è destinato ad essere un aiuto per camminare su strade e sentieri. Non è adatto in terreni accidentati e/o ripidi, né per le scale.*

Per conoscere meglio le caratteristiche del deambulatore ed imparare ad usarlo correttamente, si consiglia la formazione da parte di un professionista o da parte del rivenditore autorizzato.

0 I cerchi numerati grigi in questo manuale d'uso si riferiscono alla grafica informativa numerata e alle illustrazioni all'interno della copertina

1 Conosci il tuo prodotto TOPRO

- | | |
|--|--|
| A Maniglie | H Pomello di bloccaggio per la maniglia |
| B Leva freno | I Sacca portaoggetti |
| C Tubo manopole | J Telaio laterale |
| D Cavo freno | K Protezione dei bordi |
| E Tubo del sedile / Maniglia di trasporto | L Blocco freno |
| F Gancio di bloccaggio | M Funzione di inclinazione |
| G Sedile con cinturino per meccanismo di chiusura | N Ruote posteriori staccabili |
| | O Etichetta del prodotto |

2 Sicurezza

Quando si piega e si apre il deambulatore, stare attenti a non schiacciarsi le dita.

Attenzione a non mettere le dita in fori aperti o tra le parti fisse.

Assicurarsi che i pomelli di bloccaggio per la regolazione in altezza delle maniglie siano serrati saldamente.

Quando il deambulatore è fermo o parcheggiato, assicurarsi che i freni di stazionamento su entrambi i lati siano in posizione bloccata (A).

Non utilizzare il deambulatore sulle scale. Fare attenzione quando si superano i cordoli, ecc.

Controllare i freni prima dell'uso ogni volta e che il deambulatore si blocchi in posizione aperta.

Non utilizzare il deambulatore per trasportare carichi pesanti o persone.

Tenere presente che alcune parti del deambulatore potrebbero risultare calde o fredde se esposte a temperature estreme.

Non modificare il prodotto in quanto ciò potrebbe costituire un rischio per la sicurezza e l'annullare la garanzia.

Prima di sedersi sul sedile (C), assicurarsi che i freni di stazionamento su entrambi i lati siano in posizione bloccata (A).

Per evitare il rischio di caduta, non sporgersi o piegarsi lateralmente o sul retro del deambulatore mentre si è in posizione seduta (D). Non inclinare

troppo il deambulatore lateralmente, per evitare il rischio di caduta. Per lo stesso motivo, le borse ecc. non devono mai essere appese alle manopole.

Per garantire il giusto supporto e sicurezza, camminare dritto e assicurarsi che il deambulatore, sia tenuto il più vicino possibile al corpo (E). Camminare tra le ruote posteriori (F), non dietro di esse (G).

Tenere presente che il deambulatore potrebbe avanzare più velocemente dell'utente quando in tratti in discesa, il che potrebbe generare un rischio di caduta. Attivare i freni di guida per regolare la velocità (B).

Prestare attenzione quando si indossano gonne o pantaloni larghi in quanto potrebbero rimanere impigliati nelle ruote, causando una caduta. Indossare calzature robuste per evitare lesioni.

Per motivi di sicurezza è vietato sedersi sul deambulatore a bordo di mezzi di trasporto pubblico. Stivare il deambulatore in modo sicuro e assicurarsi che i freni di stazionamento su entrambi i lati siano attivati (A).

Non utilizzare il deambulatore su superfici scivolose o ghiacciate.

Tenere il deambulatore lontano dal fuoco e dagli oggetti caldi.

Non usare il deambulatore, come supporto per raggiungere oggetti in alto.

3 Apertura / Chiusura

Apertura: rilasciare il gancio di bloccaggio posizionato sulle barre del sedile (A). Premere le barre del sedile verso il basso e verso l'esterno. I tubi laterali scorreranno verso l'esterno. Premere verso il basso le barre del sedile (B). Si sentirà un "clic". Il deambulatore è ora bloccato nella sua posizione aperta.

Chiusura: tirare la cinghia sul sedile verso l'alto (C) e premere insieme i telai laterali. Bloccare il gancio (D) sopra le barre del sedile.

Trasporto del deambulatore: il deambulatore non deve essere trasportato dalla cinghia di seduta o dai cavi dei freni. Richiudere il deambulatore insieme come mostrato nell'illustrazione (E). Afferrare il deambulatore dalle barre del sedile (F) quando è piegato.

4 Maniglie / Funzione di memoria

Regolazione dell'altezza: svitare il pomello di bloccaggio (A) (circa 2 giri). Regolare i tubi della maniglia ad un'altezza adeguata, quindi tirarli leggermente su e giù (C) fino a quando non si sente un suono di clic. Stringere nuovamente il pomello di bloccaggio (A). Regolare entrambe le maniglie alla stessa altezza confrontando la scala numerica su ciascun lato. *Si consiglia di impostare le maniglie alla stessa altezza dei polsi quando le braccia sono allineate accanto al corpo.*

Funzione di memoria: decidere e memorizzare l'altezza delle maniglie (vedi scala numerica). Contare i fori visibili sul retro dei tubi della maniglia. Svitare il pomello di bloccaggio (A). Estrarre il tubo (B) dal telaio. La clip di fissaggio (D) seguirà ora il tubo della maniglia. Spostare la clip fissaggio (D) in modo che il numero di fori sopra di essa sia uguale ai fori contati in precedenza. Montare il chip di memoria rosso (E) sul tubo della maniglia nel primo foro disponibile sotto la clip di fissaggio (D). Spingere il tubo della maniglia (B) e la clip di fissaggio (D) verso il basso e nel telaio laterale (F). Avvitare il pomello di bloccaggio (A) a metà via. Tirare le maniglie (G) fino a quando non si fermano, quindi stringere correttamente il pomello di bloccaggio (A). D'ora in poi, quando le maniglie sono nella posizione più bassa, si fermeranno nella posizione prestabilita quando vengono sollevate.

5 Freni

Assicurarsi che i freni funzionino correttamente prima di ogni utilizzo. Ogni leva del freno (A) agisce su ciascuna delle ruote posteriori. *Non guidare o spingere il deambulatore mentre i freni di stazionamento sono attivati!*

Freni di stazionamento: spingere entrambe le leve del freno (A) verso il basso fino al bloccaggio. Entrambe le ruote posteriori sono ora bloccate. Premere entrambe le leve del freno verso l'alto per rilasciare i freni di stazionamento.

Freni di guida: tirare entrambe le leve del freno (B) verso l'alto per ridurre la velocità. *Non utilizzare continuamente mentre il deambulatore è in movimento.*

Regolazione / controllo: allentare il dado (C). Stringere il cavo del freno (D) con la vite di regolazione (E). Regolare il blocco freno (F) in modo che la distanza dal freno a tamburo interno sia di circa 1,5 mm, quindi stringere il dado (C). Ruotare la ruota per verificare che il blocco freno non tocchi la ruota.

Manutenzione: pulire frequentemente il blocco freno (F) e la molla del freno (G). Le ruote e i freni possono essere sostituiti se sono usurati o danneggiati.

6 Ruote posteriori staccabili

Rimozione: allentare la leva del freno. Premere il pulsante rosso sul mozzo (A) e far scorrere la ruota fuori dall'asse (B) mentre si tiene premuto il pulsante verso il basso.

Attacco: allentare la leva del freno. Far scorrere la ruota fino all'asse (B). Spingere la ruota il più lontano possibile verso l'interno dell'asse per far scattare la ruota sull'asse. Si sentirà un "clic" quando la ruota è in posizione. La ruota è fissata saldamente quando l'asse è completamente visibile al centro del mozzo (C). Tirare delicatamente la ruota per verificare che sia fissata saldamente all'asse. Dopo che la nuova ruota è stata montata sul deambulatore, assicurarsi che i freni funzionino correttamente. Se necessario, regolali di nuovo (*vedere la sezione Freni*).

7 Sedile

Il deambulatore ha un sedile a rete sicuro e comodo, attraverso il quale si ha una vista a terra mentre si cammina. Può essere facilmente pulito con un panno, se necessario. I freni di stazionamento devono essere attivati prima di utilizzare il sedile. Spingere entrambe le leve del freno verso il basso fino a bloccare (A). Entrambe le ruote posteriori sono ora bloccate. Siediti con la schiena verso la sacca portaoggetti (B).

8 Protezione dei bordi / Funzione di inclinazione

Protezione dei bordi: le protezioni dei bordi (A), che si trovano davanti alle ruote posteriori, impediscono alle ruote posteriori di sbattere contro angoli, telai delle porte, ecc.

Funzione di inclinazione: per utilizzare la funzione di inclinazione utilizzare la parte anteriore del piede e premere verso il basso sul pedale di inclinazione (B), che si trova accanto alla ruota posteriore. Questo aiuta a inclinare il deambulatore oltre soglie, bordi ecc. Nota: fare attenzione quando si superano i cordoli, ecc.

9 Sacca portaoggetti

La sacca può contenere fino a 15 chili e può essere lavata delicatamente fino a 60 °C.

Montaggio: attivare i freni di stazionamento (A). Posizionare le staffe sulla borsa (B) sulle maniglie di trasporto del deambulatore e spingerle verso il basso. Se posizionato correttamente, si sentirà un "clic". Assicurarsi che il cavo del freno continui a scorrere senza freni lungo il telaio (C).

Rimozione: attivare i freni di stazionamento. Posizionare le mani verso la parte anteriore della sacca, su entrambi i lati. Sollevare la sacca schiacciandola leggermente. Fare attenzione a non farsi male alle dita.

TOPRO ErgoGrip

TOPRO ErgoGrip offre un'impugnatura ergonomica e superfici di supporto. La parte anteriore superiore delle maniglie offre una posizione di presa costante quando ci si alza da una sedia o da un divano. Assicurarsi sempre che i freni di stazionamento siano attivati quando ci si alza dalla posizione seduta. L'ErgoGrip offre anche un supporto extra in piedi. Utilizzare sempre la posizione di presa tradizionale per un facile accesso ai freni di guida mentre si cammina.

Trasporto

Il deambulatore deve essere trasportato in posizione piegata e bloccata (vedi *paragrafo 3 Apertura / piegatura*). Assicurarsi che il morsetto di blocco sia attivato, in modo che il deambulatore non possa aprirsi involontariamente. Fare attenzione quando si carica il deambulatore in un veicolo e fissarlo correttamente. Il deambulatore può essere posato sollevandolo dal tubo del telaio.

Conservazione quando non in uso

Il deambulatore deve essere riposto in posizione verticale. Se conservato all'aperto deve essere sotto una copertura per proteggerlo. Non lasciare il deambulatore incustodito. Non mettere oggetti pesanti sopra deambulatore quando non viene utilizzato.

Pulizia

Il deambulatore può essere pulito con un panno umido. In caso di accumulo di fango e sporcizia, è possibile utilizzare un panno con un detergente per lavaggio delicato seguito da risciacquo con acqua tiepida. Evitare il lavaggio diretto contro i cuscinetti a sfera (nelle ruote e nelle forcelle anteriori). Non utilizzare abrasivi o lavare a vapore. Asciugare il deambulatore usando un panno morbido.

Disinfezione

La disinfezione deve essere effettuata solo da personale autorizzato. Si prega di contattare il rivenditore locale o il centro di assistenza alla mobilità. Durante la disinfezione devono essere indossati dispositivi di protezione sufficienti e devono essere seguite le istruzioni del produttore del disinfettante. Le superfici del deambulatore devono essere pulite con un panno morbido o una spugna e un disinfettante chimico approvato contenente il 70–80 % di etanolo. Sconsigliamo disinfettanti contenenti cloro o fenolo. *Il produttore non può essere ritenuto responsabile per eventuali danni o lesioni verificatisi utilizzando disinfettanti/metodi dannosi o per la disinfezione effettuata da personale non autorizzato.*

Ispezione / Manutenzione / Riutilizzo

Si raccomanda di eseguire regolarmente l'ispezione e la manutenzione (la frequenza è determinata da come e con quale frequenza viene utilizzato il deambulatore). Controllare i seguenti elementi: telaio, viti, maniglie, tubi delle manopole, freni, parti dei freni, ruote, sedile e accessori. Ciò vale anche quando il deambulatore deve essere preparato per il riutilizzo. Si prega di consultare le istruzioni dettagliate in questo manuale utente sulla manutenzione dei freni e la pulizia / disinfezione. La manutenzione raccomandata non è un requisito e non è richiesta alcuna manutenzione preventiva a condizione che il deambulatore venga utilizzato come previsto secondo questo manuale utente.

Materiale / Riciclaggio

Il deambulatore è costituito da tubi in alluminio plastificati, giunti in plastica e materiale in plastica e poliestere. Ci sono cuscinetti a sfera in tutte le ruote e forcelle. La maggior parte delle parti del deambulatore può essere riciclata. Smaltire il deambulatore e il suo imballaggio secondo le normative applicabili nel proprio paese. Per informazioni, si prega di contattare le autorità pubbliche.

Garanzia

TOPRO Olympos ATR è garantito privo di difetti per 7 anni. I danni causati da un uso scorretto o le parti esposte all'usura naturale (ad es. blocco freno, cavo del freno, ruota, cestello, sedile e maniglia) sono esclusi dalla garanzia di 7 anni. Per le riparazioni durante il periodo di garanzia, contattare il negozio o il rivenditore locale. La garanzia è nulla se pezzi di ricambio e accessori non autorizzati sono stati o vengono utilizzati sul prodotto. La durata prevista del prodotto è stimata in 10 anni, a condizione che venga utilizzato nel modo corretto secondo questo manuale d'uso e le sue istruzioni di sicurezza e manutenzione.

10 Etichetta del prodotto

- 1 - Fabbricante
- 2 - Consultare le istruzioni per l'uso (icona blu)
- 3 - Nome del modello
- 4 - Numero di modello
- 5 - Data di fabbricazione
- 6 - Numero di serie
- 7 - Numero dell'articolo del commercio globale (GTIN)
- 8 - GS1 DataMatrix
- 9 - Peso massimo dell'utente
- 10 - Lunghezza massima del deambulatore
- 11 - Larghezza massima / altezza del deambulatore
- 12 - Destinato all'uso esterno
- 13 - Dispositivo Medico
- 14 - Marcatura CE (Questo prodotto è conforme al Regolamento sui Dispositivi Medici (UE) 2017/745)

Accessori

	Numero articolo TOPRO
Supporto schienale con imbottitura, 67 cm	815270
Supporto schienale con imbottitura, 75 cm	815272
Vassoio (solo per la taglia M)	815212
Vassoio (solo per la taglia M Slim)	815363
Tappetino antiscivolo per vassoio (solo per la taglia M)	814059
Tappetino antiscivolo per vassoio (solo per la taglia M Slim)	815832
Porta stampelle, grigio	815358
Portabottiglia, grigio	815843
Lampada a LED con clip-on e spina USB	815260
Ombrello con attacco, nero	814068
Freno con una sola mano	814026
Maniglia di guida per ipovedenti	814014
Borsa posteriore con cerniera	814046
Targhetta	814024
Frizionatori, coppia	814038
Borsa di trasporto	814042
Cestello per bombola di ossigeno (solo compresso, non liquido)	814009
Ruote fuoristrada, set di quattro ruote	815304
Pneumatici chiodati, 2 ruote posteriori	815332

Gli accessori montati sul deambulatore possono influenzare la stabilità, consigliamo quindi di usarli con cura. Gli accessori possono essere ordinati separatamente per consentire a TOPRO Olympos ATR di essere personalizzato in base alle esigenze individuali. Contatta il tuo negozio di mobilità, rivenditore o TOPRO per una panoramica aggiornata degli accessori disponibili o visita la nostra homepage topromobility.com.

Felicitaciones con su elección de un nuevo rollator TOPRO

Cada rollator TOPRO se desarrolla, diseña y fabrica en Noruega. El producto cumple con el Reglamento de Dispositivos Médicos (UE) 2017/745. Está probado y aprobado según EN ISO 11199-2:2021. Al recibir los productos, verifique su producto. Si tiene alguna pregunta, póngase en contacto con su tienda de movilidad o distribuidor de inmediato. Si tiene problemas para leer este manual de usuario, hay una versión electrónica disponible en topromobility.com.

Uso previsto

El TOPRO Olympos ATR dará soporte a los usuarios con equilibrio reducido y / o capacidad de caminar reducida. Está diseñado para ser empujado, no tirado. El asiento integrado ofrece una oportunidad para que el usuario descanse si es necesario. El usuario previsto es un adulto. Se aplican restricciones de altura y peso. *Contraindicaciones: El producto no es adecuado para personas con baja fuerza en brazos, con muy mal equilibrio o con discapacidades cognitivas considerables. El producto está diseñado y aprobado para uso en exteriores, pero también se puede utilizar en interiores. En exteriores, el rollator está destinado a ser una ayuda para caminar por caminos y sendas. No es adecuado en terrenos accidentados y/o escarpados, ni para escaleras.*

Para conocer el rollator y aprender a usarlo correctamente, se recomienda la formación por parte de un profesional.

0 Los círculos numerados grises en este manual de usuario se refieren al gráfico de información numerada y las ilustraciones dentro de la cubierta.

1 Conozca su producto TOPRO

- A** Asa
- B** Palanca de freno
- C** Tubo de mango
- D** Cable de freno
- E** Barras de asiento / Asa de transporte
- F** Abrazadera de bloqueo
- G** Asiento con correa para mecanismo plegable
- H** Rueda de bloqueo para el mango
- I** Bolsa de la compra
- J** Marco lateral
- K** Protector de borde
- L** Bloque de freno
- M** Función de inclinación
- N** Ruedas traseras desmontables
- O** Etiqueta del producto

2 Seguridad ⚠

Al doblar y desplegar el rollator, tenga en cuenta para no lastimarse los dedos.

Tenga en cuenta no poner los dedos en agujeros abiertos o entre partes estacionarias.

Asegúrese de que las ruedas de bloqueo para el ajuste de altura de las manijas estén bien bloqueadas.

Cuando esté parado o estacionado, asegúrese de que los frenos de estacionamiento en ambos lados estén activados (A).

No use el rollator en las escaleras. Tenga cuidado al pasar por los bordillos, etc.

Compruebe los frenos antes de usarlos cada vez, y que el rollator se bloquee en posición desplegada.

No utilice el rollator para transportar cargas pesadas o personas.

Tenga en cuenta que algunas partes del rollator pueden sentirse calientes o frías cuando se exponen a temperaturas extremas.

No modifique el producto, ya que esto podría poner en riesgo su seguridad y la garantía se anulará.

Antes de sentarse en el asiento (C), asegúrese de que los frenos de estacionamiento en ambos lados estén activados (A).

Para reducir el riesgo de caídas, no se incline ni se doble hacia los lados o sobre la parte posterior del rollator mientras esté

sentado (D). No incline el rollator demasiado hacia los lados, para evitar el riesgo de caídas. Por la misma razón, las bolsas, etc., nunca deben colgarse en las asas.

Para dar el soporte y la seguridad adecuados, camine recto y asegúrese de que el rollator se mantenga lo más cerca posible de su cuerpo (E). Camina entre las ruedas traseras (F), no detrás de ellas (G).

Tenga en cuenta que el rollator puede rodar más rápido que usted al caminar cuesta abajo, lo que puede ponerlo en riesgo de caerse. Active los frenos de conducción para ajustar la velocidad (B).

Tenga cuidado al usar faldas o pantalones revoloteantes, ya que podrían quedar atrapados en las ruedas, lo que podría provocar caídas. Use calzado resistente para evitar lesiones.

Por razones de seguridad está prohibido sentarse en el rollator durante el transporte público. Guarde su rollator de forma segura y asegúrese de que los frenos de estacionamiento en ambos lados estén activados (A).

No utilice el rollator en superficies resbaladizas o heladas.

Mantenga el rollator alejado del fuego y de los artículos calientes.

No se suba al rollator.

3 Despliegue / Plegado

Despliegue: Suelte la abrazadera de bloqueo colocada en las barras del asiento (A). Presione las barras del asiento hacia abajo y hacia afuera. Los marcos laterales se deslizarán por separado. Presione hacia abajo las barras del asiento (B). Escuchará un sonido de clic. El rollator ahora está bloqueado en su posición abierta.

Plegable: Tire de la correa del asiento (C) y presione los marcos laterales juntos. Bloquee la abrazadera (D) sobre las barras del asiento.

Transporte del rollator: El rollator no debe ser transportado por la correa del asiento o los cables del freno. Doble el rollator como se muestra en la ilustración (E). Lleve el rodillo por las barras del asiento (F) cuando esté plegado.

4 Función de mangos / Memoria

Ajuste de altura: Desajustar la rueda de bloqueo (A) (aprox. 2 vueltas). Ajuste el tubo del mango a una altura adecuada, luego tire ligeramente hacia arriba y hacia abajo (C) hasta que escuche un sonido de clic. Apriete la rueda de bloqueo (A). Ajuste ambos mangos a la misma altura comparando la escala numérica de cada lado. *Se recomienda que las asas estén ajustadas a la misma altura que las muñecas cuando los brazos cuelgan junto a su cuerpo.*

Función de memoria: Decida la altura de los mangos (consulte la escala numérica). Cuente los orificios visibles en la parte posterior de los tubos del mango. Desenrosque la rueda de bloqueo (A). Tire del tubo (B) fuera del marco. La pieza de sujeción (D) ahora seguirá el tubo del mango. Mueva la pieza de sujeción (D) para que el número de orificios por encima de ella sea igual a los orificios contados anteriormente. Coloque el chip de memoria rojo (E) en el tubo de la manija en el primer orificio disponible debajo de la pieza de sujeción (D). Empuje el tubo del mango (B) y la pieza de sujeción (D) hacia abajo y hacia el marco lateral (F). Atornille la rueda de bloqueo (A) hasta la mitad. Tire del mango (G) hacia arriba hasta que se detenga y luego apriete la rueda de bloqueo (A) correctamente. A partir de ahora, cuando las manijas estén en la posición más baja, se detendrán en la posición preestablecida cuando se levanten.

5 Frenos

Asegúrese de que los frenos estén funcionando antes de cada viaje. Cada palanca de freno (A) funciona en cada una de las ruedas traseras. *No conduzca ni empuje el rollator mientras los frenos de estacionamiento estén activados.*

Frenos de estacionamiento: Empuje ambas palancas de freno (A) hacia abajo hasta que se bloqueen. Ambas ruedas traseras ahora están bloqueadas. Apriete ambas palancas de freno hacia arriba para liberar los frenos de estacionamiento.

Frenos de conducción: Tire de ambas palancas de freno (B) hacia arriba para reducir la velocidad. *No lo use continuamente mientras el rollator esté en movimiento.*

Ajuste / comprobación: Afloje la tuerca (C). Apriete el cable del freno (D) con el tornillo de ajuste (E). Ajuste el bloque de freno (F) para que la distancia al freno de tambor interno sea de aproximadamente 1,5 mm y, a continuación, apriete la tuerca (C). Gire la rueda para comprobar que el bloque de freno no está tocando la rueda.

Mantenimiento: Limpie el bloque de freno (F) y el resorte de freno (G) regularmente. Las ruedas y los frenos se pueden reemplazar si están desgastados o dañados.

6 Ruedas traseras desmontables

Extracción: Afloje la palanca de freno. Presione el botón rojo en el cubo (A) y deslice la rueda fuera del eje (B) mientras presiona el botón hacia abajo.

Fijación: Afloje la palanca de freno. Deslice la rueda hacia el eje (B). Empuje la rueda lo más lejos posible hacia adentro en el eje para hacer que la rueda se encaje en el eje. Escuchará un "clic" cuando la rueda esté en su lugar. La rueda se sujeta de forma segura cuando el eje es completamente visible en el centro del buje (C). Tire suavemente de la rueda para comprobar que está bien sujeta al eje. Después de aplicar la nueva rueda al rollator, asegúrese de que los frenos funcionen correctamente. Reajustarlos si es necesario (*ver sección Frenos*).

7 Asiento

El rollator tiene un asiento de malla seguro y conveniente, que proporciona vista al suelo mientras camina. Se puede limpiar fácilmente con un paño si es necesario. Los frenos de estacionamiento deben activarse antes de usar el asiento. Empuje ambas palancas de freno hacia abajo hasta que se bloqueen (A). Ambas ruedas traseras ahora están bloqueadas. Siéntate de espaldas hacia la bolsa (B).

8 Función de protección de bordes / Inclinación

Protector de borde: Los protectores de borde (A), que están delante de las ruedas traseras, evitan que las ruedas traseras se enganchen en las esquinas, marcos de las puertas, etc.

Función de inclinación: Para usar la función de inclinación, use la parte delantera del pie y presione hacia abajo el pedal de inclinación (B), que está al lado de la rueda trasera. Esto ayuda a inclinar el rollator sobre umbrales, bordes, etc. Tenga en cuenta: Tenga cuidado al pasar por los bordillos, etc.

9 Bolsa de la compra

La bolsa tiene capacidad para 15 kilos y se puede lavar suavemente hasta 60 °C.

Montaje: Aplicar los frenos de estacionamiento (A). Coloque los soportes de la bolsa (B) en las asas de transporte del rollator y presiónelos hacia abajo. Cuando se coloca correctamente, escuchará un sonido de clic. Asegúrese de que el cable del freno siga funcionando sin restricciones a lo largo del bastidor (C).

Desmontaje: Aplicar los frenos de estacionamiento. Coloque las manos hacia la parte delantera de la bolsa, a ambos lados. Levante la bolsa hacia arriba mientras la presiona ligeramente junta. Tenga en cuenta para no lastimarse los dedos.

TOPRO ErgoGrip

TOPRO ErgoGrip ofrece agarre ergonómico y superficies de soporte. La parte delantera superior de las manijas proporciona una posición de agarre constante al levantarse de una silla o sofá. Asegúrese siempre de que los frenos de estacionamiento estén activados al levantarse de la posición sentada. El ergog riptambién ofrece soporte adicional mientras está de pie. Utilice siempre la posición de agarre tradicional para facilitar el acceso a los frenos de conducción mientras camina.

Transporte

El rollator debe transportarse en la posición plegada y bloqueada (consulte la sección *Despliegue / Plegado*). Asegúrese de que la abrazadera de bloqueo esté encendida, de modo que el rollator no pueda desplegarse involuntariamente. Tenga cuidado al cargar el rollator en un vehículo, prestando atención a asegurarlo. El rollator puede acostarlo tomándolo por el tubo del marco.

Almacenamiento

El rollator debe almacenarse en posición vertical. Si se almacena al aire libre, debe estar debajo de una cubierta para protegerlo. No deje su rollator desatendido. No coloque artículos pesados encima del rollator durante el almacenamiento.

Limpieza

El rollator se puede limpiar con un paño húmedo. En caso de acumulación de barro y suciedad, se puede usar un paño con un detergente de lavado suave seguido de un enjuague con agua tibia. Evite enjuagar directamente contra los rodamientos de bolas (en ruedas y horquillas delanteras). No use abrasivos ni lavados a vapor. Seque el rollator con un paño suave.

Desinfección

La desinfección solo debe ser realizada por personal autorizado. Póngase en contacto con su concesionario local o centro de ayuda a la movilidad. Durante la desinfección se debe usar suficiente equipo de protección y se deben seguir las instrucciones del fabricante del desinfectante. La superficie del rollator debe limpiarse con un paño suave o esponja y un desinfectante químico aprobado que contenga etanol al 70–80 %. Aconsejamos no desinfectar que contenga cloro o fenol. *El fabricante no se hace responsable de ningún daño o lesión ocurrida con desinfectante/métodos de desinfección dañino o desinfección llevada a cabo por personal no autorizado.*

Inspección / Mantenimiento / Reutilización

Se recomienda que la inspección y el mantenimiento se lleven a cabo regularmente (la frecuencia está determinada por cómo y con qué frecuencia se utiliza el rollator). Compruebe los siguientes elementos: Marco, tornillos, asas, tubos de mango, frenos, piezas de freno, ruedas, asiento y accesorios. Esto también se aplica cuando el rollator debe prepararse para su reutilización. Consulte las instrucciones detalladas en este manual de usuario sobre el mantenimiento de los frenos y la limpieza/desinfección. El mantenimiento recomendado no es un requisito, y no se requiere mantenimiento preventivo siempre que el rollator se utilice según lo previsto de acuerdo con este manual del usuario.

Material / Reciclaje

El rollator está hecho de tubos de aluminio recubiertos de plástico, acoplamientos de plástico y material hecho de plástico y poliéster. Hay rodamientos de bolas en todas las ruedas y horquillas. La mayoría de las piezas del rollator se pueden reciclar. Deseche el enrollador y su embalaje de acuerdo con la normativa aplicable en su país. Para obtener información, póngase en contacto con sus autoridades públicas.

Garantía

TOPRO Olympos ATR está garantizado libre de fallos y defectos durante 7 años. Los daños causados por un uso incorrecto o las piezas que están expuestas al desgaste natural (por ejemplo, bloque de freno, cable de freno, rueda, bolsa, asiento y mango) están exentos de la garantía de 7 años. Para reparaciones durante el período de garantía, póngase en contacto con su tienda de movilidad o distribuidor local. La garantía es nula si se han utilizado o se están utilizando piezas de repuesto o accesorios no autorizados en el producto. La vida útil esperada del producto se estima en 10 años si se utiliza de la manera correcta de acuerdo con este manual de usuario y sus instrucciones de seguridad y mantenimiento.

10 Etiqueta del producto

- 1 - Fabricante
- 2 - Consulte las instrucciones de uso (icono azul)
- 3 - Nombre del modelo
- 4 - Número de modelo
- 5 - Fecha de fabricación
- 6 - Número de serie
- 7 - Número de artículo comercial global
- 8 - GS1 DataMatrix
- 9 - Peso máximo del usuario
- 10 - Longitud máxima del rollator
- 11 - Anchura / altura máxima del rollator
- 12 - Destinado a uso en exteriores
- 13 - Dispositivo médico
- 14 - Marcado CE (Este producto cumple con el Reglamento de Dispositivos Médicos (UE) 2017/745)

Accesorios

	Artículo TOPRO No.
Soporte trasero con acolchado, 67 cm	815270
Soporte trasero con acolchado, 75 cm	815272
Bandeja (solo para la talla M)	815212
Bandeja (solo para la talla M Slim)	815363
Alfombra antideslizante para bandeja (solo para la talla M)	814059
Alfombra antideslizante para bandeja (solo para la talla M Slim)	815832
Soporte de muleta, gris	815358
Portabotellas, gris	815843
Lámpara LED con clip-on y enchufe USB	815260
Paraguas con sujeción, negro	814068
Freno con una sola mano	814026
Mango guía para personas con discapacidad visual	814014
Bolsa trasera con cremallera	814046
Etiqueta de nombre	814024
Sistema de resistencia al balanceo, par	814038
Bolsa de transporte	814042
Cesta para botella de oxígeno (solo comprimida, no líquida)	814009
Ruedas todoterreno, juego de cuatro	815304
Neumáticos con clavos, 2 ruedas traseras	815332

Los accesorios montados en el rollator pueden influir en la estabilidad, por lo tanto, le recomendamos que los use con cuidado. Se pueden solicitar los accesorios por separado para permitir que TOPRO Olympos ATR se personalice según las necesidades individuales. Póngase en contacto con su tienda de movilidad, distribuidor o TOPRO para obtener una visión general actualizada de los accesorios disponibles o visite nuestra página de inicio topromobility.com.

Gratulujeme k vašemu novému chodítku TOPRO

Každý chodítka TOPRO je vyvinut, navržen a vyroben v Norsku. Produkt splňuje požadavky nařízení o zdravotnických prostředcích (EU) 2017/745. Je testován a schválen dle normy EN ISO 11199-2:2021. Po obdržení chodítka ihned proveďte jeho vizuální kontrolu. Pokud máte jakékoli dotazy, ihned kontaktujte Váš obchod nebo dodavatele kompetentních pomůcek pro mobilitu. Pokud máte problémy se čtením této uživatelské příručky, je k dispozici elektronická verze na stránkách topromobility.com.

Zamýšlené použití

TOPRO Olympos ATR poskytuje podporu uživatelům s poruchou rovnováhy a nebo omezenou schopností chůze. Je navrženo k tlačení, ne tahání. Integrované sedátko umožňuje uživatelům, aby si v případě potřeby odpočinuli. Zamýšleným uživatelem je dospělý. Platí omezení výšky a hmotnosti. *Kontraindikace: Produkt není vhodný pro osoby s nízkou silou paží, s velmi špatnou rovnováhou nebo významným kognitivním deficitem. Produkt je navržen a schválen k venkovnímu použití, ale lze jej používat také vevnitř. Venku je chodítka určeno k použití jako pomůcka při chůzi na silnicích a chodnících. Není vhodné pro nerovný terén a nebo velké náklony či schody.*

Doporučujeme zaškolení profesionálním pracovníkem, abyste se dobře seznámili s chodítkem a zjistili, jak jej správně používat.

0 Šedé číslované kroužky v této uživatelské příručce označují číslované informační grafický prvek a ilustrace v přebalu

1 Seznamte se se svým produktem TOPRO

- | | |
|--|------------------------------------|
| A Rukojeť | I Nákupní taška |
| B Brzdová páčka | J Boční rám |
| C Tyč rukojeti | K Rohový chránič |
| D Kabel brzdy | L Brzdový blok |
| E Tyče sedadla / nosná rukojeť | M Funkce náklonu |
| F Pojistná svorka | N Odpojitelná zadní kolečka |
| G Sedadlo s popruhem pro skládací mechanismus | O Štítek produktu |
| H Pojistné kolečko pro rukojeť | |

2 Bezpečnost

Při skládání nebo rozkládání chodítka dávejte pozor, abyste si neporanili prsty.

Nedávejte prsty do otevřených otvorů ani mezi stacionární díly.

Ujistěte se, že jsou pojistná kolečka pro nastavení výšky rukojeti pevně zajištěna.

Když je chodítka nehybné nebo zaparkované, zkontrolujte, zda jsou parkovací brzdy na obou stranách aktivované (A).

Nepoužívejte chodítka na schodech. Dávejte pozor při přechodu přes obrubníky atd.

Před každým použitím zkontrolujte brzdy a zajištění chodítka v rozložené pozici.

Nepoužívejte chodítka k přepravě těžkých nákladů nebo osob.

Nezapomínejte, že některé díly chodítka mohou být horké nebo studené, když je vystavíte extrémním teplotám.

Neupravujte produkt, jelikož by to mohlo být spojeno s riziky a vést ke ztrátě záruky.

Před usednutím na sedátko (C) zkontrolujte, zda jsou parkovací brzdy na obou stranách aktivované (A).

Riziko pádu snížíte, když se nebudete vsedě naklánět ani ohýbat do boku či přes zadní část chodítka (D). Abyste předešli riziku pádu, nenaklánějte chodítka příliš do boku. Ze stejného důvodu nikdy nezavěsujte tašky a podobné věci na rukojeti chodítka.

Správné podpory a bezpečnosti dosáhnete přímou chůzí a udržováním chodítka co nejbližší k tělu (E). Jděte mezi zadními kolečky (F), ne za nimi (G).

Nezapomínejte, že z kopce se chodítka může pohybovat rychleji, což zvyšuje riziko pádu. Aktivací brzd upravte rychlost (B).

Když budete mít volnou sukni nebo nohavice, dávejte pozor, protože hrozí zachycení v kolečkách a pád. Pro prevenci poranění noste pevnou obuv.

Z bezpečnostních důvodů je zakázáno sedět na chodítka v prostředcích veřejné dopravy. Uložte chodítka do bezpečné polohy a zkontrolujte, zda jsou parkovací brzdy na obou stranách aktivované (A).

Nepoužívejte chodítka na kluzkém ani zledovatělém povrchu.

Chraňte chodítka před požárem a horkými předměty.

Nevylézejte na chodítka.

3 Rozkládání / Skládání

Rozkládání: Uvolněte pojistnou svorku umístěnou na tyčích sedadla (A). Zatlačte tyče sedadla směrem dolů a ven. Boční rámy se posunou od sebe. Zatlačte tyče sedadla dolů (B). Ozve se cvaknutí. Chodítko je nyní zajištěno v otevřené pozici.

Skládání: Potáhněte za popruh na sedadle (C) a přitlačte boční rámy k sobě. Zajistěte svorku (D) přes tyče sedadla.

Přenos chodítka: Chodítko nenoste za popruh sedadla ani brzdové kabely. Složte chodítko podle ilustrace (E). Složené chodítko přenášejte za tyče sedadla (F).

4 Rukojeti / Paměťová funkce

Nastavení výšky: Uvolněte pojistné kolečko (A) (přibližně 2 otočky). Nastavte tyč rukojeti do vhodné výšky, poté ji potáhněte lehce nahoru a dolů (C) – ozve se cvaknutí. Utáhněte pojistné kolečko (A). Nastavte rukojeti do stejné výšky, použijte číselnou stupnici na obou stranách. *Doporučujeme rukojeti nastavit do stejné výšky jako vaše zápěstí, když vám ruce visí podél těla.*

Paměťová funkce: Rozhodněte se, jakou výšku rukojetí zvolíte (viz číselná stupnice). Spočítejte viditelné otvory na zadní straně tyčí rukojetí. Odšroubujte pojistné kolečko (A). Vytáhněte tyč (B) z rámu. Upevňovací díl (D) bude sledovat tyč rukojeti. Přesuňte upevňovací díl (D) tak, aby počet otvorů nad ním odpovídal předtím spočítaným otvorům. Vložte červený paměťový kolík (E) na tyč rukojeti do prvního dostupného otvoru pod upevňovacím dílem (D). Zatlačte tyč rukojeti (B) a upevňovací díl (D) směrem dolů do bočního rámu (F). Našroubujte pojistné kolečko (A) do poloviny. Potáhněte rukojet (G) až na doraz a poté adekvátně utáhněte pojistné kolečko (A). Pokud budou rukojeti v nejnižší pozici, při vytahování se zastaví v přednastavené poloze.

5 Brzdy

Před každým použitím se ujistěte, že brzdy fungují. Každá brzdová páčka (A) působí na obě zadní kolečka. *Neřídte ani netlačte chodítko s aktivovanými parkovacími brzdami.*

Parkovací brzdy: Zatlačte obě brzdové páčky (A) směrem dolů do zajištěné polohy. Obě zadní kolečka jsou nyní zajištěna. Stiskněte obě brzdové páčky nahoru a uvolněte parkovací brzdy.

Řídící brzdy: Přitažením obou brzdových páček nahoru (B) snížíte rychlost. *Při pohybu chodítka nepoužívejte brzdy nepřetržitě.*

Nastavení/kontrola: Uvolněte matici (C). Utáhněte brzdový kabel (D) pomocí nastavovacího šroubu (E). Upravte brzdový blok (F), aby vzdálenost k vnitřní bubnové brzdě byla přibližně 1,5 mm. Poté utáhněte matici (C). Otočte kolečkem a zkontrolujte, zda se brzdový blok kolečka nedotýká.

Údržba: Brzdový blok (F) a brzdovou pružinu (G) pravidelně čistěte. Kolečka a brzdy lze vyměnit, pokud jsou opotřebené nebo poškozené.

6 Odpojitelná zadní kolečka

Odstranění: Uvolněte brzdovou páčku. Stiskněte červené tlačítko na náboji (A) a stáhněte kolečko z osy (B) – tlačítko při tom držte stisknuté.

Připojení: Uvolněte brzdovou páčku. Nasuňte kolečko na osu (B). Zatlačte kolečko na doraz a ujistěte se, že kolečko na ose zapadlo. Když bude kolečko na svém místě, ozve se „cvaknutí“. Kolečko je bezpečně zajištěno, když je osa zcela viditelná uprostřed náboje (C). Jemným povytažením kolečka zkontrolujte, zda je bezpečně připojeno k ose. Po nasazení nového kolečka na chodítko se ujistěte, že brzdy fungují správně. V případě potřeby je znovu nastavte (viz část Brzdy).

7 Sedadlo

Chodítko má bezpečné a pohodlné síťové sedadlo, přes které je při chůzi vidět. V případě potřeby jej lze jednoduše otřít hadříkem. Před použitím sedadla je nutné aktivovat parkovací brzdy. Zatlačte obě brzdové páčky směrem dolů do zajištěné polohy (A). Obě zadní kolečka jsou nyní zajištěna. Sedněte si zády k tašce (B).

8 Rohový chránič / Funkce náklonu

Rohový chránič: Rohové chrániče (A) před zadními kolečky brání zachycení zadních koleček o rohy, rámy dveří atd.

Funkce náklonu: Pokud chcete použít funkci náklonu, přední částí chodidla sešlápněte pedál náklonu (B), který se nachází vedle zadního kolečka. To pomůže chodítku dostat se přes prahy, okraje atd. Nezapomínejte: Dávejte pozor při přechodu přes obrubníky atd.

9 Nákupní taška

Taška pojme až 15 kg a lze ji jemně prát při teplotě do 60 °C.

Nasazení: Použijte parkovací brzdy (A). Nasadte držáky na tašce (B) na nosné rukojeti na chodítko a zatlačte je dolů. Ve správné pozici se ozve cvaknutí. Ujistěte se, že brzdový kabel pořád probíhá volně podél rámu (C).

Odstranění: Použijte parkovací brzdy. Položte ruce na obě strany přední části tašky. Zvedněte tašku nahoru a mírně ji přitiskněte k sobě. Dávejte pozor, aby jste si neporanili prsty.

TOPRO ErgoGrip

TOPRO ErgoGrip nabízí ergonomické úchopy a podpurné plochy. Horní přední část rukojeti nabízí polohu pro stabilní úchop při zvedání ze židle nebo křesla. Při zvedání ze sedu se vždy ujistěte, že jsou parkovací brzdy aktivovány. ErgoGrip také nabízí větší podporu vestoje. Vždy používejte standardní úchopovou pozici pro jednoduchý přístup k brzdám při chůzi.

Přeprava

Chodítko přepravujte ve složené a zajištěné pozici (viz část Složení / rozložení). Ujistěte se, že je sepnutá pojistná svorka, aby se chodítko nemohlo nechtěně rozložit. Při vkládání chodítka do dopravního prostředku buďte opatrní, zajistěte jej. Chodítko lze položit zvednutím za rámovou trubku.

Uskladnění

Chodítko je nutné uchovávat ve vzpřímené pozici. Při uchování venku musí být kryté, aby bylo chráněno. Nenechávejte chodítko bez dozoru. Neukládejte na odložené chodítko těžké předměty.

Čištění

Chodítko lze čistit pomocí vlhkého hadříku. V případě nahromadění bahna a špíny lze použít hadřík s jemným čistícím prostředkem a následně jej opláchnout vlažnou vodou. Vyvarujte se přímého oplachu kuličkových ložisek (v kolečkách a předních vidlicích). Nepoužívejte abrazivní přípravky ani parní čištění. Vysušte chodítko pomocí měkkého hadříku.

Dezinfekce

Dezinfekci musí provádět výhradně autorizovaný personál. Kontaktujte svého místního dodavatele nebo centrum pomůcek pro mobilitu. Během dezinfekce je nutné používat dostatečné ochranné pomůcky a dodržovat pokyny výrobce

dezinfekčního přípravku. Povrch chodítka vyčistěte měkkým hadříkem nebo schváleným chemickým dezinfekčním přípravkem obsahujícím 70–80% alkohol. Nedoporučujeme používat dezinfekční přípravky obsahující chlor nebo fenol. *Výrobce nenese zodpovědnost za jakékoli poškození nebo poranění, ke kterému došlo použitím škodlivých dezinfekčních přípravků/opatření nebo dezinfekcí provedenou neautorizovaným personálem.*

Kontrola / Údržba / Opětovné použití

Doporučujeme provádět kontrolu a údržbu pravidelně (frekvence je určena způsobem a četností použití chodítka). Zkontrolujte následující položky: Rám, šrouby, rukojeti, tyče rukojetí, brzdy, brzdové díly, kolečka, sedadlo a příslušenství. To platí také pro přípravu chodítka k opětovnému použití. Informace o údržbě brzd a čištění/dezinfekci naleznete v podrobných pokynech v této uživatelské příručce. Doporučená údržba není nutným požadavkem a pokud je chodítka používáno zamýšleným způsobem dle této uživatelské příručky, není potřebná žádná preventivní údržba.

Materiál / Recyklace

Chodítka je vyrobeno z hliníkových profilů potažených plastem, plastových spojů a materiálu vyrobeného z plastu a polyesteru. Všechna kolečka a vidlice obsahují kuličková ložiska. Většinu dílů chodítka lze recyklovat. Zlikvidujte chodítka a jeho balení dle příslušných předpisů ve vaší zemi. Informace vám poskytnou vaše veřejné úřady.

Záruka

Na chodítka TOPRO Olympos ATR poskytujeme záruku absence vad a defektů po dobu 7 let. Poškození způsobené nesprávným použitím nebo přirozeným opotřebením dílů (např. brzdového bloku, brzdového kabelu, kolečka, tašky, sedadla a rukojeti) je vyňato ze 7leté záruky. S dotazy na opravy během záručního období se obraťte na místní obchod nebo dodavatele pomůcek pro mobilitu. Záruka zaniká, pokud byly na produktu použity nebo jsou používány neautorizované náhradní díly nebo příslušenství. Očekávaná životnost produktu je odhadována na 10 let při použití správným způsobem dle uživatelské příručky a pokynů pro bezpečnost a údržbu.

10 Štítek produktu

- 1 - Výrobce
- 2 - Prostudujte si návod k použití (modrá ikona)
- 3 - Název modelu
- 4 - Číslo modelu
- 5 - Datum výroby
- 6 - Sériové číslo
- 7 - Globální obchodní číslo položky
- 8 - GS1 DataMatrix
- 9 - Maximální hmotnost uživatele
- 10 - Maximální délka chodítka
- 11 - Maximální šířka/výška chodítka
- 12 - Zamýšleno k vnějšímu použití
- 13 - Zdravotnický prostředek
- 14 - Označení CE (tento produkt splňuje požadavky nařízení o zdravotnických prostředcích (EU) 2017/745)

Příslušenství

	Č. pol. TOPRO
Zadní opěrka s polstrováním, 67 cm	815270
Zadní opěrka s polstrováním, 75 cm	815272
Nosič (pouze pro velikost M)	815212
Nosič (pouze pro velikost M Slim)	815363
Protiskluzná vložka pro nosič (pouze pro velikost M)	814059
Protiskluzná vložka pro nosič (pouze pro velikost M Slim)	815832
Držák berle, šedý	815358
Držák láhve, šedý	815843
LED lampa se svorkou a USB konektorem	815260
Deštník s násadecem, černý	814068
Jednoruční brzda	814026
Vodící rukojeť pro zrakově postižené	814014
Zadní taška se zipem	814046
Jmenovka	814024
Systém bránící posunu, pár	814038
Přepavní taška	814042
Košík pro kyslíkovou láhev (pouze stlačený, ne tekutý)	814009
Kolečka do terénu, souprava čtyř	815304
Pneumatiky s hroty, 2 zadní kolečka	815332

Příslušenství nainstalované na chodítka může ovlivnit stabilitu; z toho důvodu vám doporučujeme jej používat opatrně. Příslušenství lze objednat samostatně a upravit tak TOPRO Olympos ATR dle individuálních potřeb. Kontaktujte váš obchod, dodavatele pomůcek pro mobilitu nebo společnost TOPRO, kde vám poskytnou aktualizovaný přehled dostupného příslušenství, nebo navštivte naše stránky topromobility.com.

TOPRO rollators are developed, designed and manufactured in Norway by:

TOPRO Industri AS

Rambekkevegen 5, NO-2816 Gjøvik, Norway
(+47) 61 13 46 00
info@topromobility.com
www.topromobility.com



Subsidiaries

TOPRO GmbH

Bahnhofstraße 26 d
82256 Fürstentfeldbruck
GERMANY
Tel: +49 (0) 8141 8889 39-0
Fax: +49 (0) 8141 8889 39-22
cs@topro.de
www.topromobility.com

TOPRO GmbH

Zweigniederlassung Stetten
Im Stetterfeld 2
5608 Stetten
SWITZERLAND
Tel: +41 (0) 44 940 36 50
Fax: +41 (0) 44 940 36 51
mail@topro.ch
www.topromobility.com

TOPRO Mobility B.V.

C'park Bata
Europaplein 1
Gebouw 21 – unit 2.17
5684 ZC Best
THE NETHERLANDS
Tel: +31 (0) 6 27 288 801
cs@topromobility.nl
www.topromobility.com

TOPRO Limited

Trent Business centre
Thoroton Rd
West Bridgford
Nottingham
NG2 5FT
UNITED KINGDOM
Tel: +44 (0) 115 846 5406
Fax: +44 (0) 844 739 16 15
info@topro.co.uk
www.topromobility.com

TOPRO Mobility AB

Buskuddsvägen 9
185 95 Vaxholm
SWEDEN
Tel: +46 (0) 8 311 330
info@topromobility.se
www.topromobility.com

TOPRO Mobility DK

Jadevej 11
8541 Skødstrup
DENMARK
Tel +45 (0) 53 763 131
info@topromobility.dk

Distributor / dealer

Learn more



topromobility.com

